



Charles Universal Broadband Enclosures (CUBE)

RL207 Series Remote Radio Head / Power Support Cabinets

The CUBE-RL207 Series cabinet provide environmental protection for a wide variety of telecom applications, including wireless, fiber transport for cell site backhaul, and other remote outdoor applications where 48 VDC is required. The most common application for these cabinets are to house power and battery backup for remote radio heads. Commercial AC power is converted to 48 VDC using a third-party rectifier (supports most major manufacturers). The separate battery chamber is designed for up to 100Ah Ni-Cd or 92Ah VRLA batteries.



Specifications



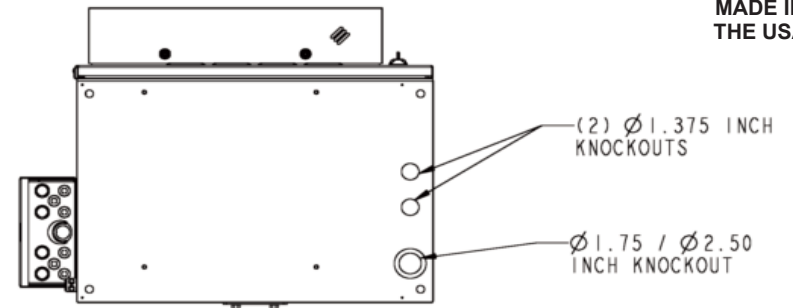
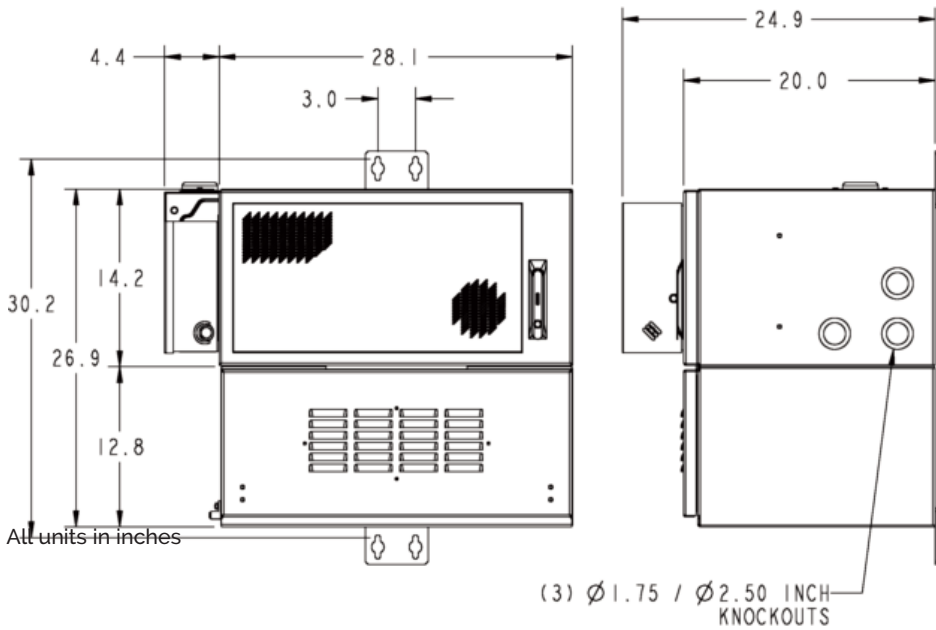
MADE IN THE USA

- Overall Dimensions 27"H x 28"W x 20"D
- Equipment Chamber 14"H x 28"W x 20"D
 - Rack Space / Width 7RU / 19" EIA Standard
 - Door Lock Padlockable, 216-Style Lock
 - AC Equipment 8 Position Load Center (see chart reverse side for details)
- Battery Chamber 13"H x 28"W x 20"D
 - Capacity Supports 1 String 48V (or two 24V) 100Ah Ni-Cd or 92Ah VRLA
- Bonding & Grounding 8 Position, 2-Hole Ground Bar
- Cable Entrance (3) 1.75"/2.5" Knockouts on Right-Hand Side,
 - (1) 1.75"/2.5" and (2) 1.375" Knockouts on Bottom
- Thermal Management 48VDC 580 Watt Heat Exchanger
- Construction 1/8" Welded Aluminum, Off-White Finish
- Weight (Empty) 160 lbs.
- Mounting Wall or H-Frame, Pole Mount Kit optional (97-CABPMTKIT),
 - 10" Plinth optional (97-PM4XPLINTH-A)

Charles Part #	Standard Mounting	Overall Dimensions (in.)	RU	Equipment Chamber Dimensions (in.)	Battery Chamber Dimensions (in.)	Load Center	Thermal	Integrated Power	Weight Empty (lbs.)	Weight w/ Ni-Cd Battery
CUBE-RL20721AB1	Wall/H-Frame	27x28x20	7	14x28x20	13x28x20	8 Position	580W 48VDC HX	GE SPS 48V (3) 20A Rectifiers	170	372
CUBE-RL20721AB4	Wall/H-Frame	27x28x20	7	14x28x20	13x28x20	8 Position	580W 48VDC HX	GE Infinity D (3) 50A Rectifiers	175	377
CUBE-RL20721AB9	Wall/H-Frame	27x28x20	7	14x28x20	13x28x20	8 Position	580W 48VDC HX	GE SPS 48V (2) 20A Rectifiers	170	372
CUBE-RL20721ABJ	Wall/H-Frame	27x28x20	7	14x28x20	13x28x20	8 Position	580W 48VDC HX	None	119	320


Integrated Power Configuration Details for CUBE RL207 Series Models

Charles Part #	Integrated Power System	Rectifier Slots	Rectifiers in Configuration	Circuit Breaker Positions	DC Breakers in Configuration	GMT Positions	AC Input Voltage	Load Center	Main Breaker	AC Load Breakers	# Open Positions
RL20721AB1	GE SPS, 48V, 60A	3	(3) 20A	8	(1) 5A for HX (1) 60A (6) 20A	None	220	8 Pos.	60A 2P	(1) 15A for GFCI (3) 20A 1P for Rectifiers	2
RL20721AB4	GE Infinity D, 48V 200A CC109150100 - 19"	4	(3) 50A	10	(7) 30A (1) 5A for HX	None	220	8 Pos.	60A 2P	(1) 15A for GFCI (2) 40A 2P for Rectifiers	1
RL20721AB9	GE SPS, 48V, 60A	3	(2) 20A	8	(1) 5A for HX (1) 60A (3) 20A	None	220	8 Pos.	60A 2P	(1) 15A for GFCI (3) 20A 1P for Rectifiers	2
RL20721ABJ	None	3	(2) 20A	8	(1) 5A for HX (1) 60A (3) 20A	None	220	8 Pos.	60A 2P	(1) 15A for GFCI (3) 20A 1P for Rectifiers	2



**MADE IN
THE USA**

Charles Industries, LLC
An Amphenol Company
1450 American Lane, 20th Floor, Schaumburg, IL 60173

 mktserv@charlesindustries.com
 (847) 806-6300

