



Walk-In Cabinet (WIC)

Thermally Regulated Walk-In Cabinet for Remote Base Stations



A lighter weight alternative to concrete shelters, the WIC provides the ability for remote site installation with no maintenance. With the use of the Charles Thermal Management System (CTMS) as the closure's main thermal system, the WIC offers energy savings over current concrete buildings and huts.

Specifications:

Construction:	12 GA Steel Welded Construction, Cool White Finish
Mounting Style:	Helical/Pad or Platform Mount Enclosure
Thermal Management Systems Options:	4,000 watt HVAC units with economizer and 1,000 watt heater. Larger HVAC units can be offered as well
Door Latching:	Keyless Entry Handle in Front
Equipment Racks:	Supports up to 6 Equipment Racks
Cable Entrance:	Up to (32) Top Entry Cable Ports, (8) populated (2) Optional ports for DC Generator Cable Entry (4) Bottom Entry 24-Port Roxtec (2) GPS antenna entry ports, (1) on each side (3) 3" Knockouts on rear serve as entry for rear exterior mounted Raycap units
Alarms:	Door Intrusion, High Temperature, Thermal System Failure
Other:	Laptop Tray / Document Holder DC Interior / Exterior Lights 12" Cable Ladder above Racks, Convenience Outlet



Advantages of WIC vs permanent shelter:

- No special permitting is needed for shipping
- Can be shipped via a standard flatbed trailer
- Can be lifted with a forklift or a crane
- Has cable entry on all sides, top, bottom, and rear
- Can support multiple thermal solutions
- Lighter weight than shelter
- Ability to add thermal systems as you add equipment
- Can mount equipment on the rear outside wall
- Considered as a cabinet, not as a shelter

Product Part Numbers

Charles Part #	Description
WIC-101010SZAN1	10'W x 10'D x 10'H Walk-in-Cabinet (WIC)

Charles Part #	Description
97-MICWVPRTKIT	(2) Kits of Four Microwave Cable Entry Ports Installed on Mounting Plate. Can be installed in multiple positions around the WIC. (8) total Microwave Entries
97-9CBLPORTKIT	(2) Kits of Four Cable Entry Ports Supporting (9) .605 cables Installed on Mounting Plates. Can be installed in multiple positions around the WIC. (8) total Entries
97-DCGENPORTKIT	(2) DC Generator Cable Ports Installed on Mounting Plate
97-1010WICSTRKT	Stair Kit. Used only when direct mounting on Concrete Pad

Additional available sizes:

- 10'W x 16'D x 10'H
- 10'W x 7'D x 10'H
- 10'W x 20'D x 10'H
- 6'W x 6'D x 10'H

Product Photos



Interior View - Racks



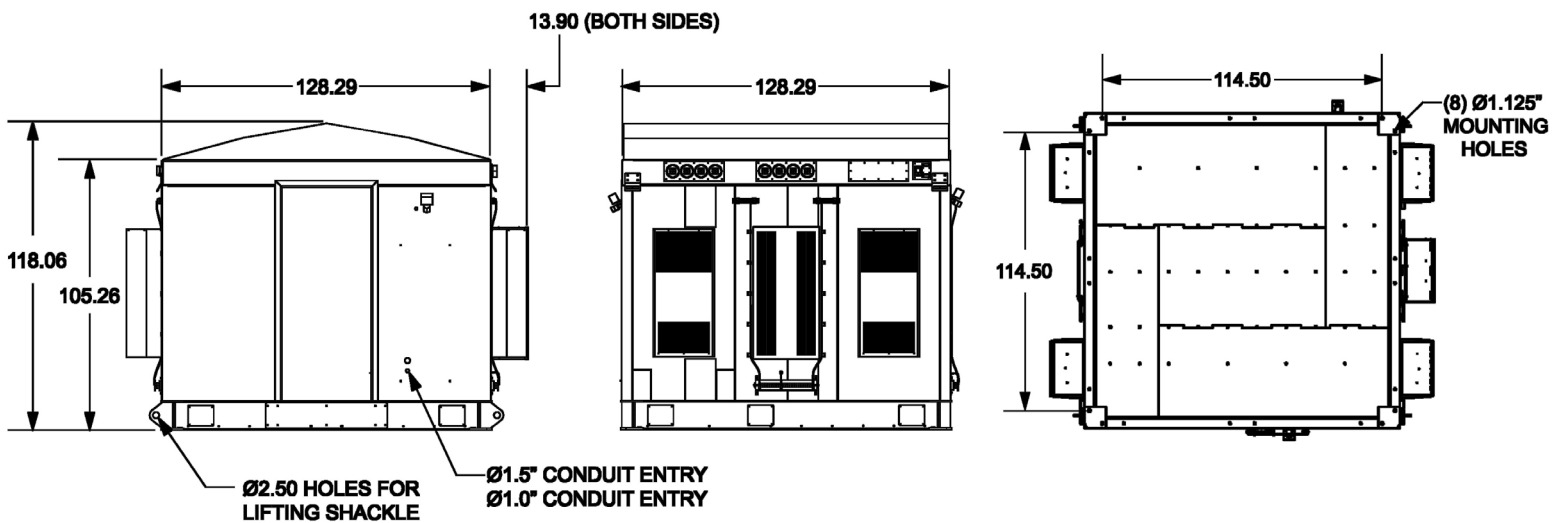
Rear View



Side View

Product Dimensions

All dimensions are in inches



Additional available sizes:

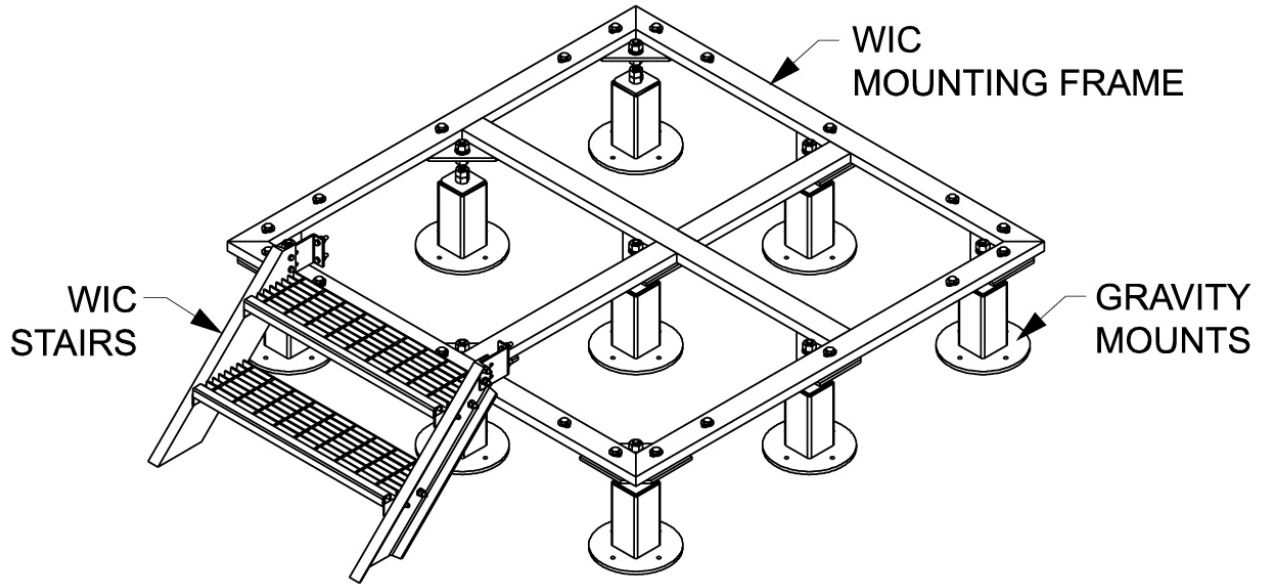
- 10'W x 16'D x 10'H
- 10'W x 7'D x 10'H
- 10'W x 20'D x 10'H
- 6'W x 6'D x 10'H

Approx. Dimensions:	10'W x 10'D x 10'H
Approx. Weight:	7,850 lbs. without equipment racks 13,850 lbs. with equipment racks
Ventilation System:	Charles IVS, 83-008367-0, -48VDC
Bonding & Grounding:	12 and 24 position ground bars on the sides and rear (external) 46 position master ground bar on rear wall (internal)

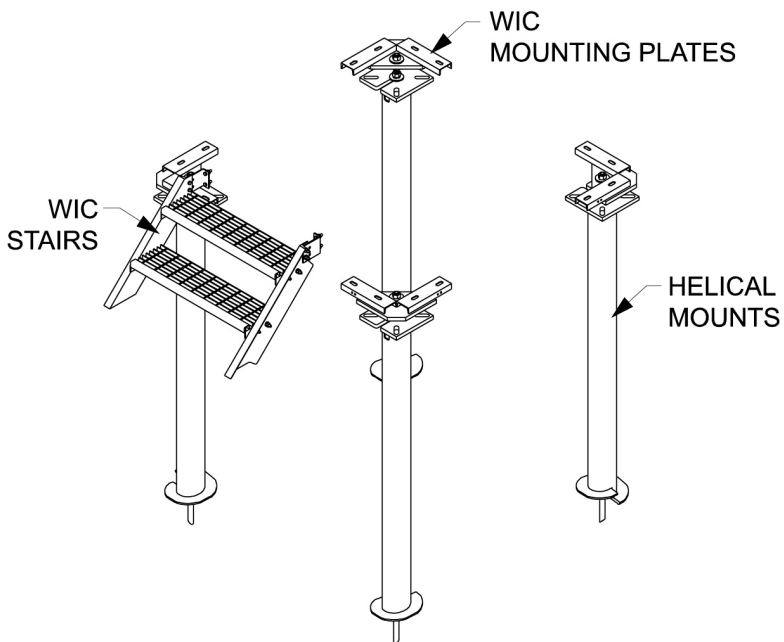
Operating Temp. Range,	
Outside Enclosure:	-40° to +115°F, -40° to 46°C
Operating Temp Range,	
Inside Enclosure:	-40° to +131°F, -40° to 55°C
Humidity:	0 to 95% (non-condensing)
Altitude:	Up to 3,000 meters (9,842 ft.)*

*Higher altitude may impact the thermal system performance

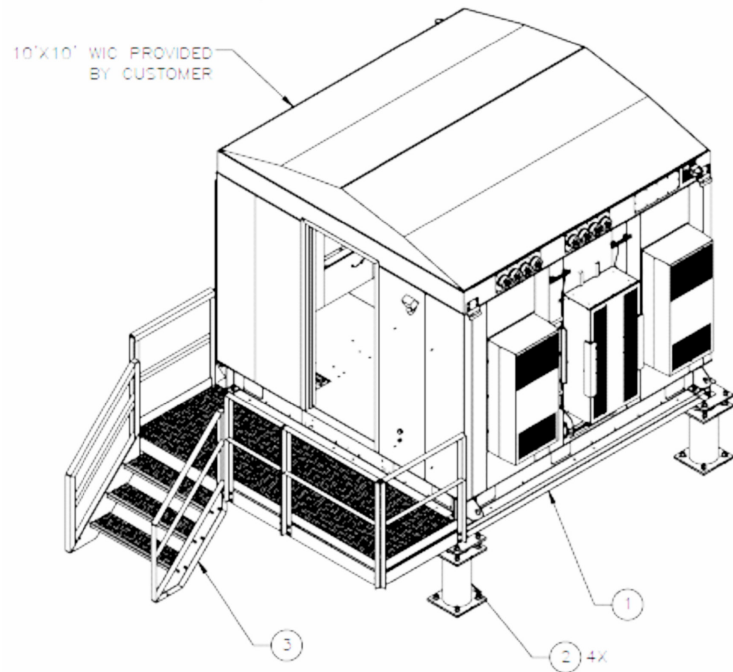
97-GRAVITYMNT



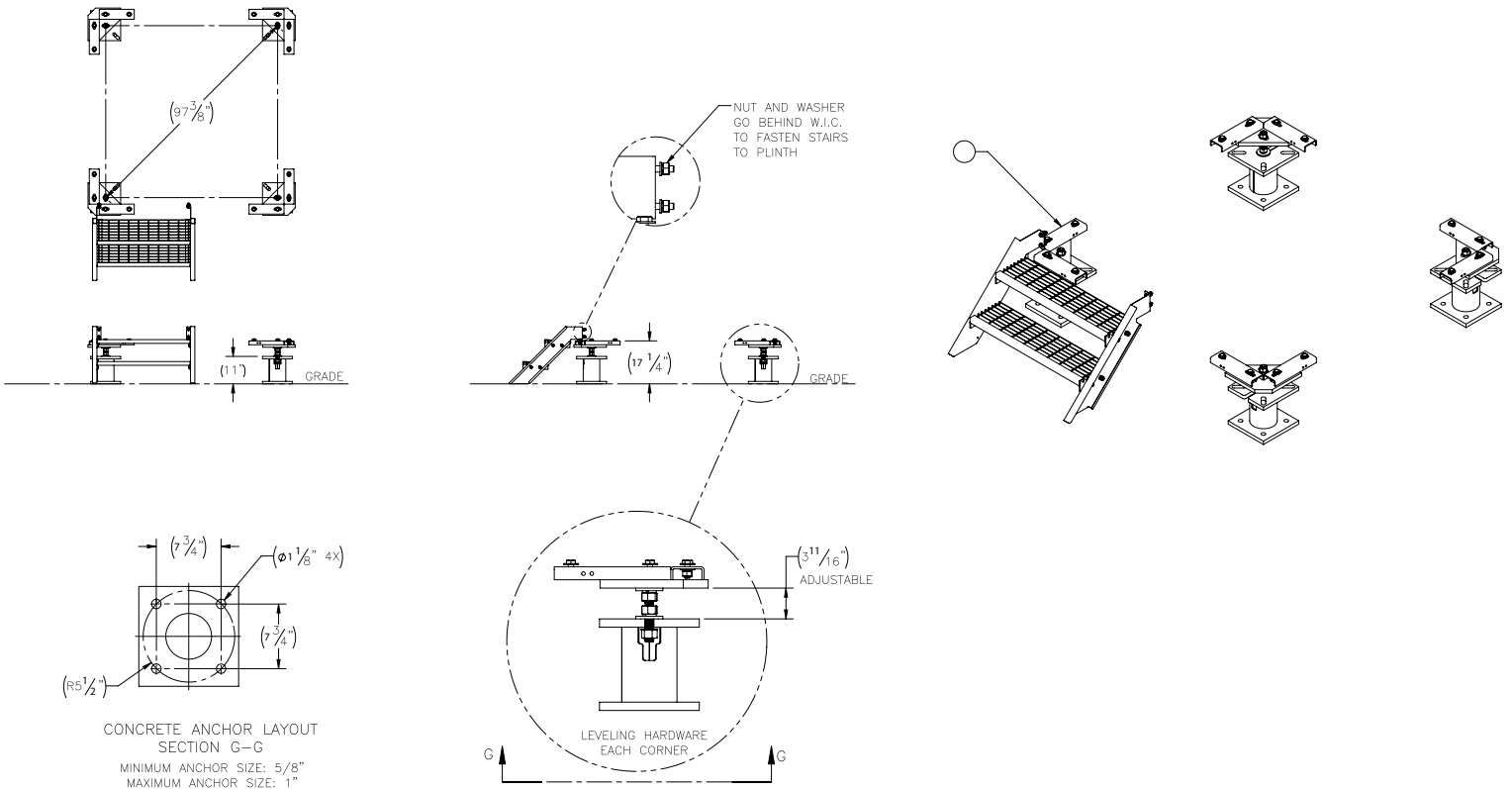
97-HELICALKIT



97-WIC2FTRISRKT



97-WIC6RISEKIT




Charles Part #	Description
97-GRAVITYMNT	Charles Industries 10'x10' WIC Gravity Mount Frame with 9 Gravity Supports and 2 Step Stair
97-HELICALKIT	Screw Pile Foundation, QTY(4), Base Plates for (4) Corners, 2 Step Stair and Leveling Hardware
97-WIC2FTRISRKT	2 foot riser kit with platform
97-WIC6RISEKIT	WIC Concrete Pad extensions (all 4 corners) 6"x11" Plates and 4-Bolt Leveling Hardware Kit
97-SESPUCKLOCK	SES puck lock

Charles Industries, LLC

An Amphenol Company

1450 American Lane, 20th Floor, Schaumburg, IL 60173

 mkt serv@charlesindustries.com

 (847) 806-6300

