

Molded Polyethylene Handholes for Telecommunications, Utility, Broadband Cable and Municipality Placements



Charles Below Grade Enclosure (CBGE) are lightweight, molded polyethylene handholes available in eight tapered rectangular and two round sizes. Designed for light duty placements (parkway/greenbelt applications), these sturdy below grade enclosures serve a variety of purposes in telecommunications, wireless, utility, CATV and municipality networks.

Constructed from high-density polyethylene (HDPE), Charles Below Grade Enclosures are built to provide years of maintenance-free service and superior shelter for buried network components. CBGE allow technicians easy handhole access to splice cases, control valves, slack cable, and other equipment at network junctions. Molded-in or applied nameplates offer convenient identification, and several security bolt patterns are available.

MARKETS SERVED:

- Telecom / FTTX
- Utility
- Wireless
- Broadband Cable



Below Grade Enclosures

FEATURES

- BEAD/BABAA compliant product
- Structurally rugged, non-metallic molded polyethylene material composition produces enclosures that are durable, lightweight, easy to install, and resistant to chemicals and water
- Tapered sides create maximum usable interior space, and allow both rectangular and round enclosures to be nested for compact shipping and storage
- Deep well bottom edges provide long-term stability in below grade placements
- Variety of drop-in or molded-in nameplates are available, with custom nameplates available via special order
- Multiple molded-in colors available - green, gray, and black
- Skid resistant covers improve safety
- Stainless steel bolts
- Integrated EMS detection available

APPLICATIONS

CBGE are designed to meet or exceed ANSI/SCTE-77 load rating for light duty (3000 lbs.) to meet the following applications:

- Fiber optic and copper slack cable coiling and storage
- Access to sealed cases (splice cases, repeaters, load coils, SmartCoils™, etc.)
- Meter boxes
- Irrigation system and other waterway control valves
- Integrated EMS detection available
- Traffic signal controls
- Ground rods

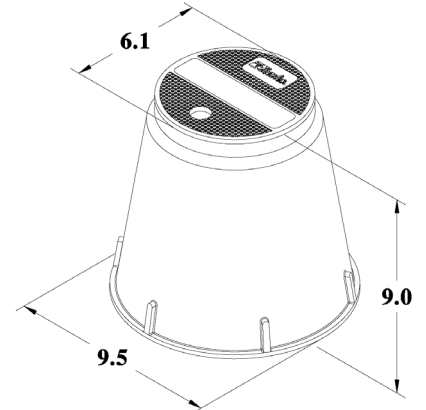
P060010



Appx. Dimensions:
06"W x 00"L x 10"D

Cover Weight (Overlapping Cover):
0.25 lb.
Box Weight:
1.0 lbs.
Assembly Weight:
1.25 lbs.

Pallet Quantity:
480
Loaded Pallet Weight:
675 lbs.



P100010

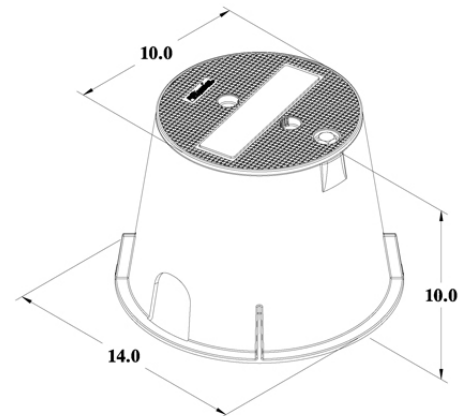


Mousehole Option Available

Appx. Dimensions:
10"W x 00"L x 10"D

Cover Weight (Overlapping Cover):
1 lb.
Box Weight:
3 lbs.
Assembly Weight:
4 lbs.

Pallet Quantity:
180
Loaded Pallet Weight:
770 lbs.



P141912

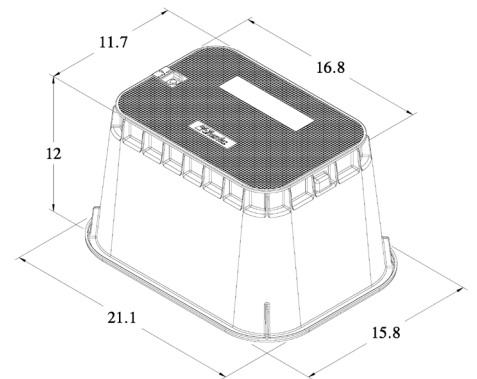


Mousehole Option Available

Appx. Dimensions:
14"W x 19"L x 12"D

Cover Weight (Overlapping Cover):
2 lbs.
Box Weight:
6 lbs.
Assembly Weight:
8 lbs.

Pallet Quantity:
78
Loaded Pallet Weight:
635 lbs.



P142015

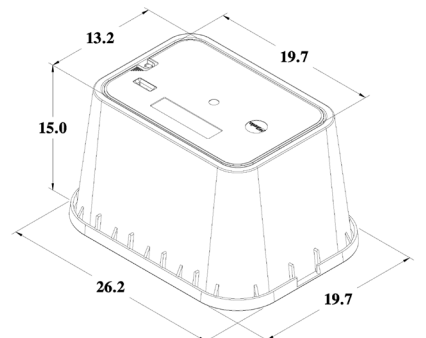


Mousehole Option Available

Appx. Dimensions:
14"W x 20"L x 15"D

Cover Weight (Overlapping Cover):
6 lbs.
Box Weight:
12 lbs.
Assembly Weight:
18 lbs.

Pallet Quantity:
72
Loaded Pallet Weight:
1350 lbs.



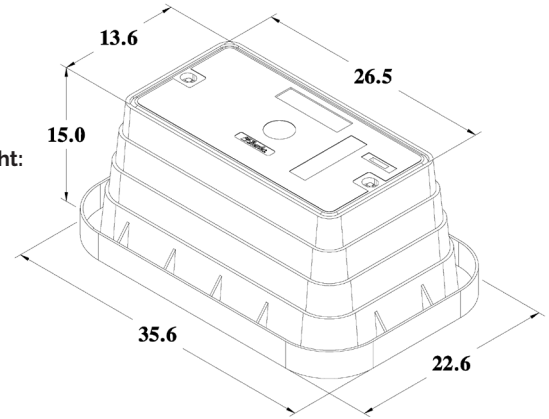
P132415



Appx. Dimensions:
13"W x 24"L x 15"D

Cover Weight (Overlapping Cover):
5 lbs.
Box Weight:
19 lbs.
Assembly Weight:
25 lbs.

Pallet Quantity:
30
Loaded Pallet Weight:
800 lbs.



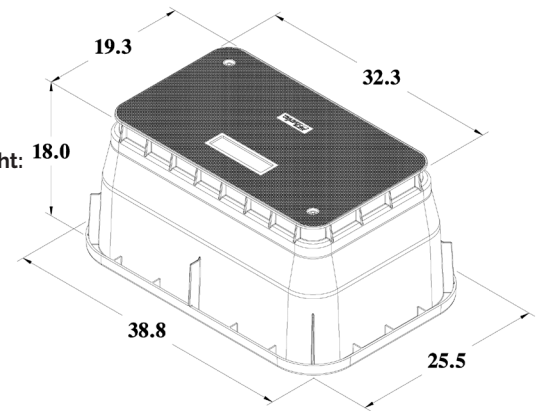
P173018



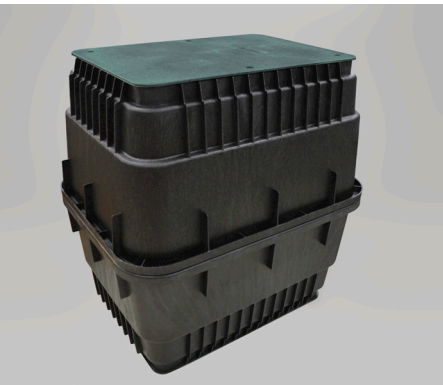
Appx. Dimensions:
17"W x 30"L x 18"D

Cover Weight (Overlapping Cover):
11 lbs.
Box Weight:
21 lbs.
Assembly Weight:
32 lbs.

Pallet Quantity:
10
Loaded Pallet Weight:
370 lbs.



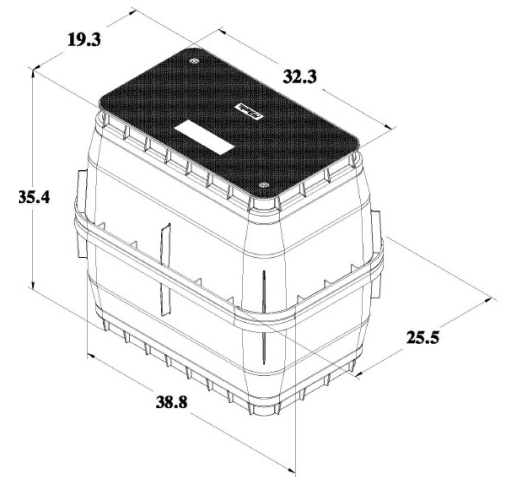
P173036



Appx. Dimensions:
17"W x 30"L x 18"D

Cover Weight (Overlapping Cover):
11 lbs.
Box Weight:
42 lbs.
Assembly Weight:
53 lbs.

Pallet Quantity:
4
Loaded Pallet Weight:
262 lbs.



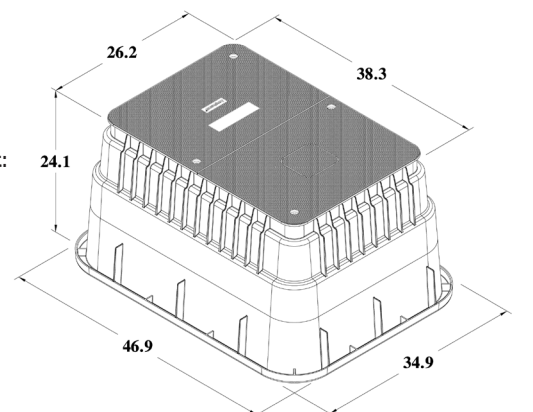
P243624



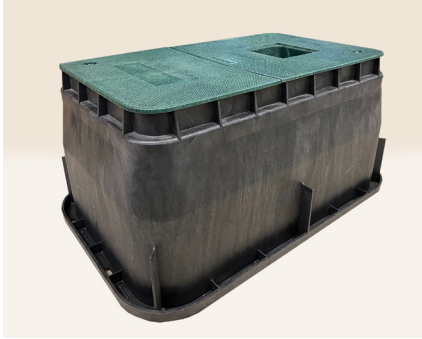
Appx. Dimensions:
24"W x 36"L x 24"D

Cover Weight (Overlapping Cover):
20 lbs.
Box Weight:
47 lbs.
Assembly Weight:
67 lbs.

Pallet Quantity:
6
Loaded Pallet Weight:
402 lbs.



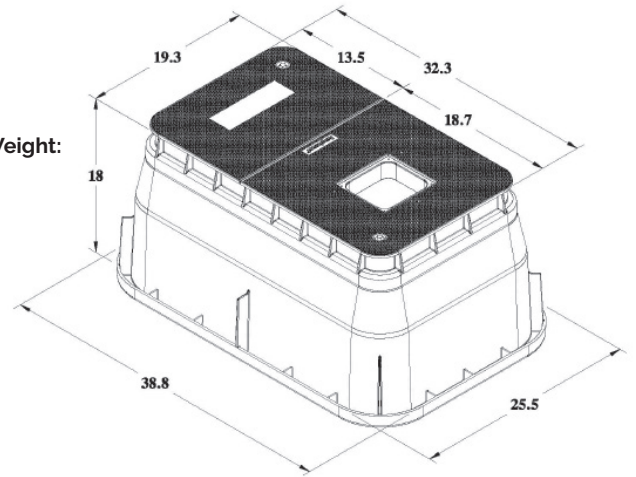
P173018Y (Pedestal Opening)



Appx. Dimensions:
17"W x 30"L x 18"D

Cover Weight (Overlapping 2pc. Cover):
10 lbs. (6lbs. & 4lbs)
Box Weight:
21 lbs.
Assembly Weight:
31 lbs.

Pallet Quantity:
10
Loaded Pallet Weight:
370 lbs.



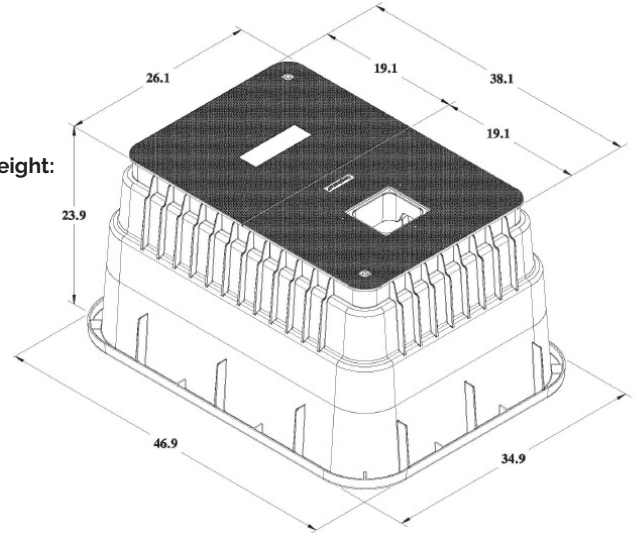
P243624Y (Pedestal Opening)



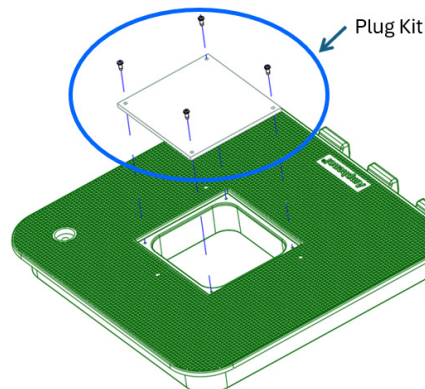
Appx. Dimensions:
24"W x 36"L x 24"D

Cover Weight (Overlapping Cover):
24 lbs. (12lbs. & 12lbs)
Box Weight:
47 lbs.
Assembly Weight:
71 lbs.

Pallet Quantity:
6
Loaded Pallet Weight:
476 lbs.



BGE-PLUGKIT
(For P1730- & P2436- Series
with Pedestal Opening)



Charles Below Grade Enclosures Part # Nomenclature



1 2 3 4 5 6 7 8 9 10 11

1 – Product

P = P-Series

2 – Size - Width*

06 = 6 inches
 10 = 10 inches
 13 = 13 inches
 14 = 14 inches
 17 = 17 inches
 24 = 24 inches

3 – Size - Length*

19 = 19 inches
 20 = 20 inches
 24 = 24 inches
 30 = 30 inches
 36 = 36 inches
 00 = Round

4 – Size - Depth*

10 = 10 inches
 12 = 12 inches
 15 = 15 inches
 18 = 18 inches
 24 = 24 inches

*For #2-#4, see inside pages for 8 valid size combinations

5 – Type

A = Base/Cover
 S*** = Base/2-Piece Split Cover
 Y** = Base/2-Piece Split Cover with Pedestal Cut-Out 5.75" x 6.25"

**Y is only available on 17"x30"x18" & 24"x36"x24"
 ***S is only available on 24"x36"x24"

6 – Base Color****

B = Black
 G = Green
 E = Gray

****Models with Overlapping Covers are available with Black (B) Base Color option only.

7 – Cover Color

G = Green
 E = Gray

8 – Option*****

M = Tapered w/Mouse Hole
 T = Tapered (std.)

*****Mouse hole option is only available on 6" and 10" round, and 14"x19"x12" and 14"x20"x15" rectangle sizes.

9 – Bolt Type

E = Edison Penta-head
 H = Hex-head
 R = REA Penta-head
 X = None

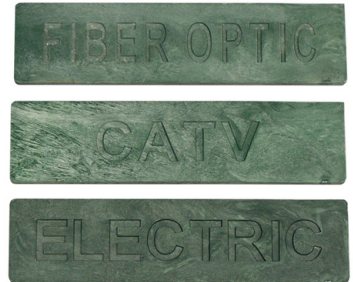
10 – EMS Detection

T = Telephone
 P = Power
 X = None

11 – Name Plate/Customer

CA = CATV
 CU = COMMUNICATIONS
 EL = ELECTRIC
 FO = FIBER OPTIC
 GA = GAS
 GD = GROUND
 LT = LIGHTING
 PW = POWER
 TE = TELEPHONE
 XX = Blank (Filler)
 -- = Empty

Name Plate Examples:



Charles CBGE are for use in non-vehicular traffic placements only (parkway/greenbelt placements). We do not recommend installation in concrete or asphalt. Dimensions may vary marginally.

Looking for other BABA compliant products for BEAD funded projects? Please call (847) 806-6300 for sales assistance and additional product information, including availability of custom options.

Charles Industries, LLC

An Amphenol Company
 1450 American Lane, 20th Floor, Schaumburg, IL 60173

mktsev@charlesindustries.com

(847) 806-6300

