

Amphenol Charles Industries' (ACI) B07 vertical broadband pedestal provides an environmental protective housing for passive or active coax or fiber networks. The B07 has a 14"x20" internal usable area and sits between the B06 and CMPH-75 series pedestals in terms of size.

The pedestals are molded from a HDPE resin designed for outside plant environments, resisting impact, UV rays, and environmental degradation.

The pedestal is available with both un-vented and vented domes for use with both active or passive components. Terminals and network access equipment can be attached to a strand C-bracket or directly to the slotted thru-hole provisions integrated into the equipment mounting stake.

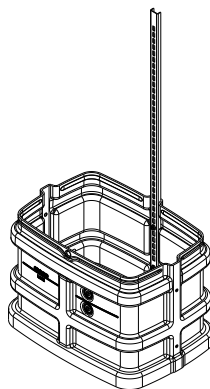


B07 PEDESTAL

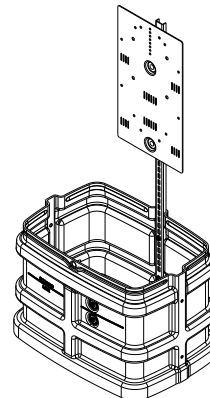
## FEATURES

- Molded with UV-stabilized HDPE to provide impact resistance, color stability, and long life
- Self-latching dome locking system 7/16" hex head bolt reduces unlocked pedestals and unwanted access
- Molded in ground line for consistent installations
- Temporary drop access
- Vented and un-vented domes for active or passive equipment

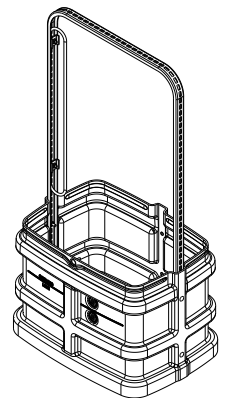
## BRACKET OPTIONS



BRACKETRY CODE -000



BRACKETRY CODE -012

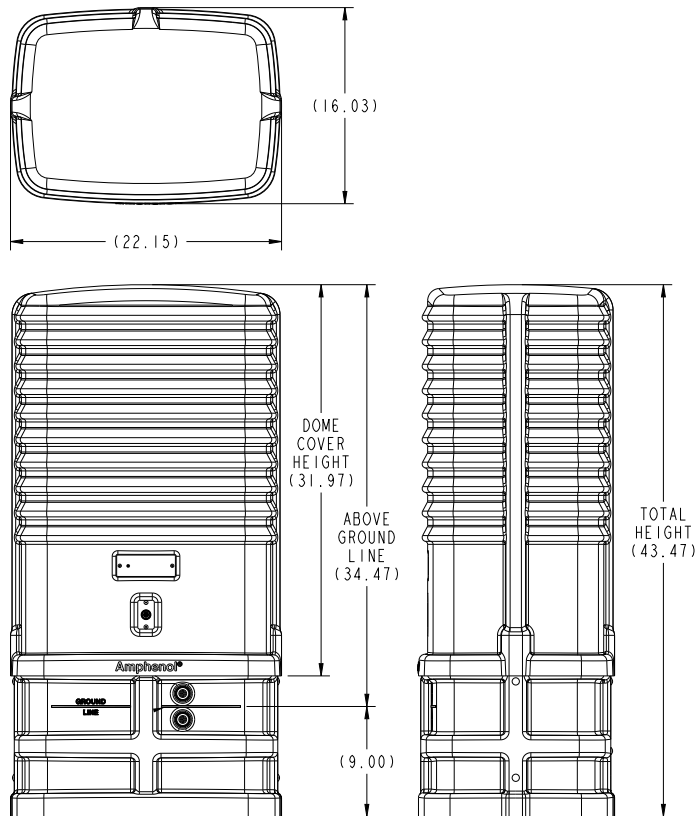


BRACKETRY CODE -011

# B07 Vertical Broadband Pedestal

## DIMENSIONAL VIEWS

All dimensions are in inches



## STANDARD PART NUMBERS

Part Number	Description	Pallet Qty.
B07SS07-20000BK	14"x 20" Non-vented vertical pedestal, 32 dome with self-latching 7/16" hex lock, equipment mounting stake, light green	6
B07SS07-20011BK	14"x 20" Non-vented vertical pedestal, 32" dome with self-latching 7/16" hex lock, upright with C-strand bracket, light green	6
B07SS07V20011BK	14"x 20" Vented vertical Pedestal, 32" dome with self-latching 7/16" hex lock, Upright with C-strand bracket, light green	6
B07SS07-20012BK	14"x 20" Non-vented vertical pedestal, 32" dome with self-latching 7/16" hex lock, terminal mounting bracket for FSDC/OFDC/OTE, light green	6


Contact Charles Industries for additional available configurations and part numbers.

## Charles Industries, LLC

An Amphenol Company

1450 American Lane, 20th Floor, Schaumburg, IL 60173

 [mktserv@charlesindustries.com](mailto:mktserv@charlesindustries.com)

 (847) 806-6300

