



Amphenol Charles Industries' (ACI) Z01 vertical broadband pedestal provides mounting facilities and security for fiber terminals and passive RF components for Fiber-to-the-Home or coaxial-based access networks. The Z01 series have a small 9"x9" footprint with a low profile 15" dome which improves aesthetics and aids with approvals by local jurisdictions.

The pedestals are molded from a HDPE resin designed for outside plant environments, resisting impact, UV rays, and environmental degradation

Terminals and network access equipment can be attached directly to the slotted thru-hole provisions integrated into the equipment mounting stake. In addition, optional bracket kits provide increased mounting flexibility to meet customer-specific needs and applications. A swivel bracket is available specifically for ACI FSDC miniature 8 port fiber terminal. The bracket has swivel feature that allows for easy access to adding drop cables while keeping terminal installed in the Z01 pedestal.



Z01 PEDESTAL

FEATURES

- Small footprint low profile aids with municipality approvals
- Molded with UV-stabilized HDPE to provide impact resistance, color stability, and long life
- Self-latching dome locking system 7/16" hex head bolt reduces unlocked pedestals and unwanted access
- Molded-in ground line for consistent installations
- Temporary drop access
- A variety of bracket options to mount terminals and equipment

BRACKET OPTIONS



Bracketry Code 000

Bracketry Code 016

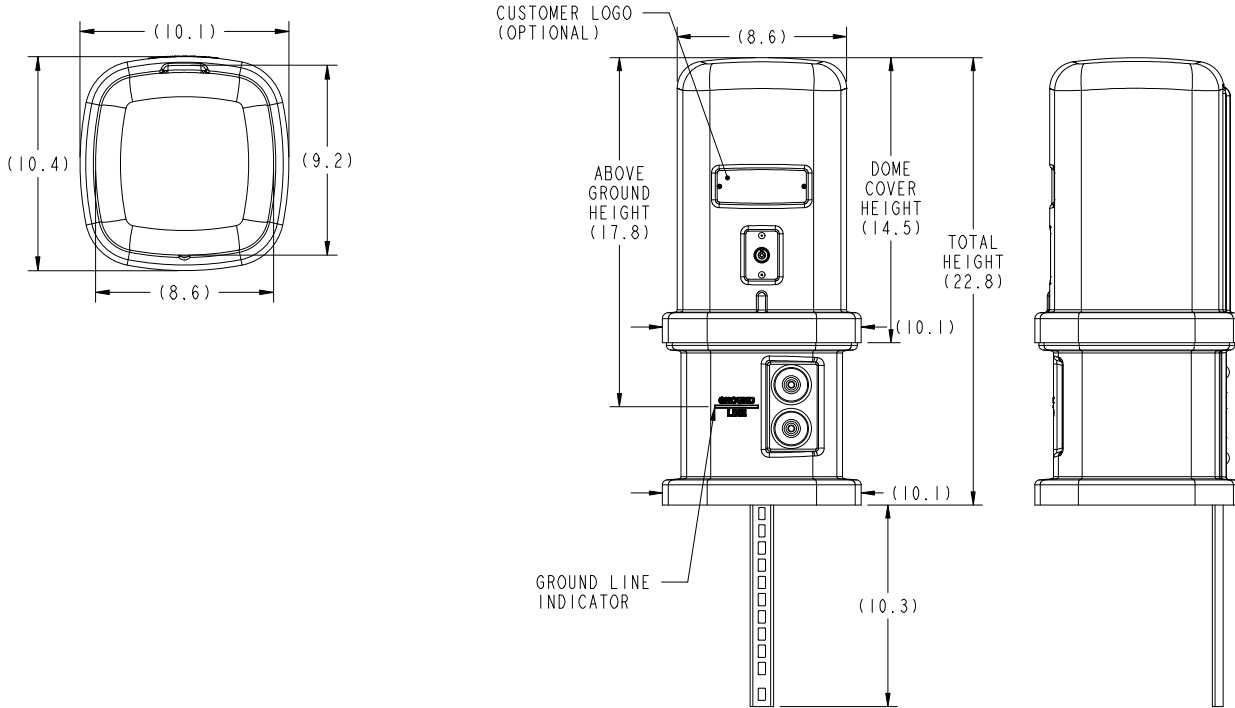
Bracketry Codes E16 or F16

Bracketry Code 024

Z01 Vertical Broadband Pedestal

DIMENSIONAL VIEWS

All dimensions are in inches



ORDERING INFORMATION

Part Number	Description	Pallet Qty.
Z01SS07-21000BK	8x8x15 Vertical Pedestal, light green housing, equipment mounting stake	32
Z01SS07-21024BK	8x8x15" Vertical Pedestal, light green housing, equipment mounting stake w/C-bracket	32
Z01SS07-21016BK	8x8x15" Vertical Pedestal, light green housing, equipment mounting stake w/FSDC-M swivel bracket	32
97-500513-A	Add-on angled 5 stud position ground bar. Kit of 25 ground bars	N/A

Contact Charles Industries for additional available configurations and part numbers.




Looking for other BABA compliant products for BEAD funded projects? Please inquire with us for more information.

Charles Industries, LLC

An Amphenol Company

1450 American Lane, 20th Floor, Schaumburg, IL 60173

 mktserv@charlesindustries.com

 (847) 806-6300

