



# Charles Below Grade Enclosures



Charles Below Grade Enclosures (CBGE) is a series of lightweight enclosures made from molded polyethylene that is available in four tapered rectangular sizes. These enclosures are designed for light-duty placements (parkway/greenbelt applications) and can serve in telecommunications and wireless networks.

Constructed from high-density polyethylene (HDPE), CBGE is built to provide years of maintenance-free service. They offer a superior shelter for buried network components and allow for easy access to splice cases, control valves, slack cables, and other equipment at network junctions. The enclosures come with molded-in or applied nameplates for easy identification, and several security bolt patterns are available

## SINGLE PIECE COVER HANDHOLES

Charles Part Number	ATT OIN	Description
P141912AGGTHAT	ATT.100006143	10 X 15 X 12 HDPE Box and Cover
P173018ABGTHAT	ATT.100006155	17 X 30 X 18 HDPE Box and Cover
P173036ABGTHAT	ATT.100015909	17 X 30 X 36 HDPE Box and Cover
P243624ABGTHAT	ATT.100006169	24 x 36 x 24 HDPE Box and Cover

## SPLIT COVER HANDHOLES

Charles Part Number	ATT OIN	Description
P173018YBGTHAT	ATT.200011000	Handhole 17 x 30 x 18 HDPE, split cover and pedestal cut-out
P243624YBGTHAT	ATT.200011001	Handhole 24 x 36 x 24 HDPE, split cover and pedestal cut-out



\*Pedestal not included

## REPLACEMENT COVERS

Charles Part Number	ATT OIN	Description
P1419XXC-ATT	ATT.200010996	Handhole Lid 10 x 15 for Charles HDPE Handhole (incl. HW kit w/ 1/4" and 3/8")
P1730XXCG1XHTAT	ATT.200006069	17 x 30 HDPE Replacement Cover
P1730XXCG2YHXAT	ATT.200010999	Handhole Split Lid 17 x 30 w pedestal cut-out for Charles HDPE Handholes
P2436XXCG1XHTAT	ATT.200010997	Handhole Lid HDPE 24 x 36 for Charles HDPE Handholes
P2436XXCG2YHXAT	ATT.200010998	Handhole Split Lid 24 x 36 w pedestal cut-out for Charles HDPE Handholes

# Product Dimensions

All dimensions are in inches

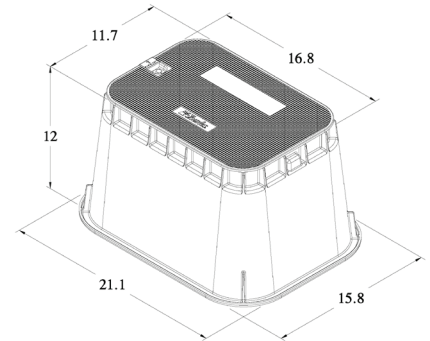
## P141912AGGHTAT



**Appx. Dimensions:**  
10"W x 15"L x 12"D

**Cover Weight (Overlapping Cover):**  
2 lbs.  
**Box Weight:**  
6 lbs.  
**Assembly Weight:**  
8 lbs.

**Pallet Quantity:**  
78  
**Loaded Pallet Weight:**  
635 lbs.



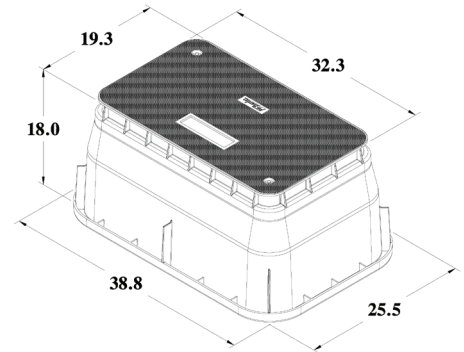
## P173018ABGHTAT



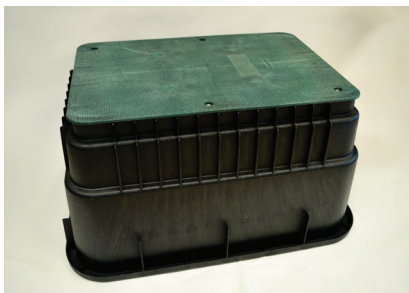
**Appx. Dimensions:**  
17"W x 30"L x 18"D

**Cover Weight (Overlapping Cover):**  
11 lbs.  
**Box Weight:**  
21 lbs.  
**Assembly Weight:**  
32 lbs.

**Pallet Quantity:**  
10  
**Loaded Pallet Weight:**  
370 lbs.



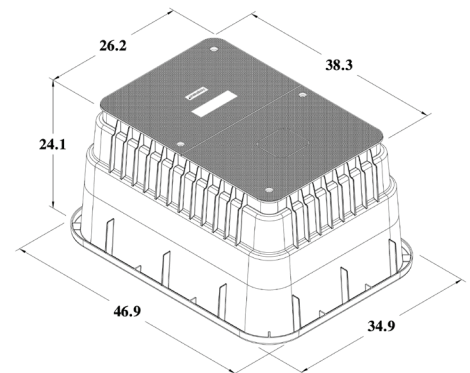
## P243624ABGHTAT



**Appx. Dimensions:**  
24"W x 36"L x 24"D

**Cover Weight (Overlapping Cover):**  
20 lbs.  
**Box Weight:**  
47 lbs.  
**Assembly Weight:**  
67 lbs.


**Pallet Quantity:**  
6  
**Loaded Pallet Weight:**  
402 lbs.



Prepared for  AT&T March 2023

**Charles Industries, LLC**  
An Amphenol Company  
1450 American Lane, 20th Floor, Schaumburg, IL 60173

 [mktsev@charlesindustries.com](mailto:mktsev@charlesindustries.com)

 (847) 806-6300

