

Charles Retrofit Kit for Z24 CATV BGE

Z24-BASE

General Description and Installation

1. GENERAL INTRODUCTION	1
1.1. Document Purpose	1
1.2. Product Purpose	1
1.3. Product Mounting and Location	1
2. INSTALLATION.....	1
2.1. Obtaining Tools and Equipment	1
2.2. Installing the Kit.....	2
3. TECHNICAL ASSISTANCE AND CUSTOMER SERVICE.....	3

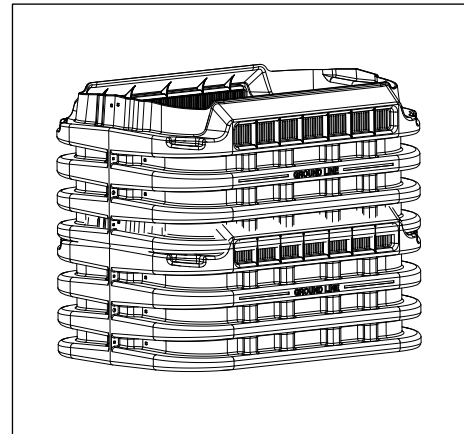


Figure 1 Kit Base

1. GENERAL INTRODUCTION

1.1. Document Purpose

This document provides general information for the Z24-BASE retrofit kit. Figure 1 shows a closed front view of the enclosure.

-NOTE-
Hereafter, the Charles Z24-BASE retrofit kit will be referred to as the “kit.”

1.2. Product Purpose

The kit includes a dual Z-series base that is used to convert a Z14 CATV with a single shallow base into a Z24 CATV with a dual deep base prior to ground installation.

1.3. Product Mounting and Location

The outdoor, weather-resistant Z housings are intended for use with high-heat generating optical and RF equipment used in cable telecommunications networks. Detailed installation information is covered in Section 3.

2. INSTALLATION

2.1. Obtaining Tools and Equipment

Obtain the following recommended or needed items for installing the kit.

- Protective and/or insulated work gloves
- Safety glasses
- Wrench, driver, or socket wrench for 7/16” hardware
- Torque wrench
- Key/Tool for opening the dome latch

2.2. Installing the Kit

⚠	WARNING	Risk of injury! Always exercise caution when lifting and installing the Z14 housing.
---	----------------	---

1. Remove the dome from the Z14 using an appropriate key. Set the dome aside for later use (Figure 2).

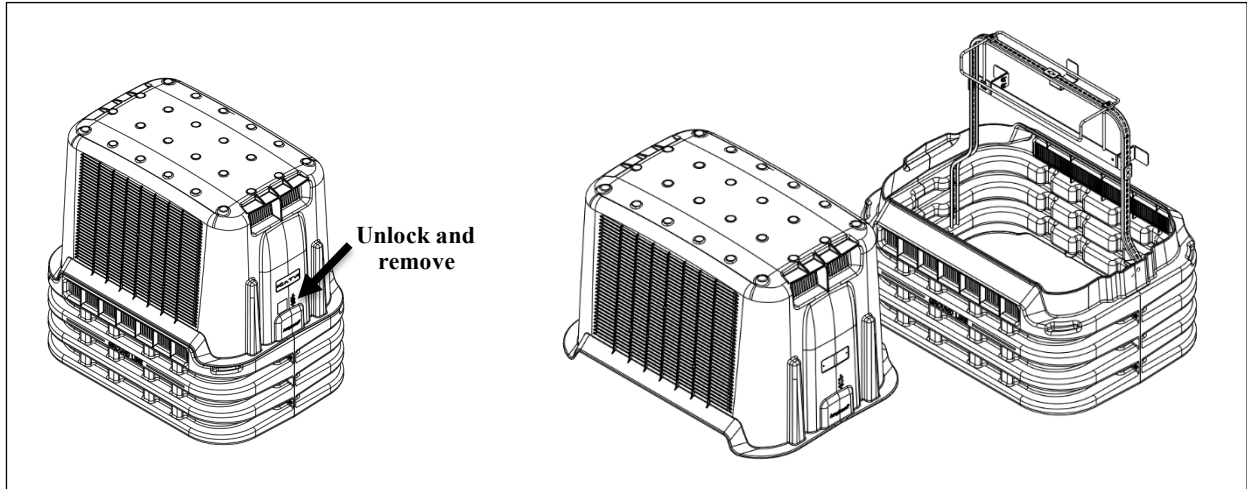


Figure 2 Remove Dome

2. Remove the hoop bracket from the Z14 base using a 7/16" tool. Set the hoop bracket and the mounting hardware aside (Figure 3, four fastening locations shown). Store or discard the Z14 base per company practice.

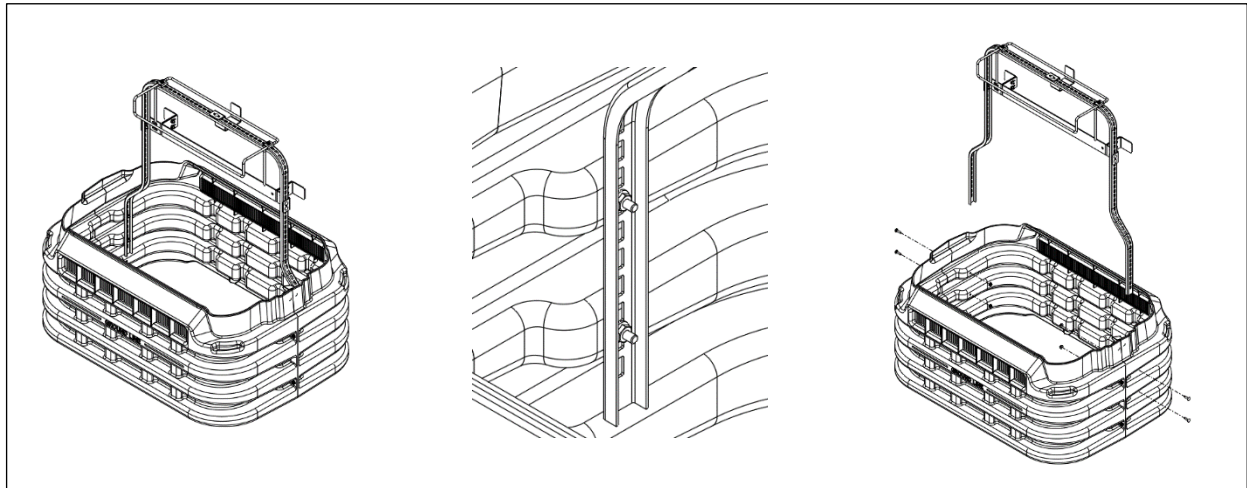


Figure 3 Remove Hoop Bracket

3. Install the hoop bracket in the Z24-BASE using the hardware removed previously (Figure 4, four fastening locations shown). Install hardware through the correct slots in the hoop bracket as shown in Figure 4 to prevent dome fit problems or equipment fit problems.
4. Torque all nuts to 50 lb-in.
5. Install the dome removed in step 1. The complete installation is shown in Figure 5.

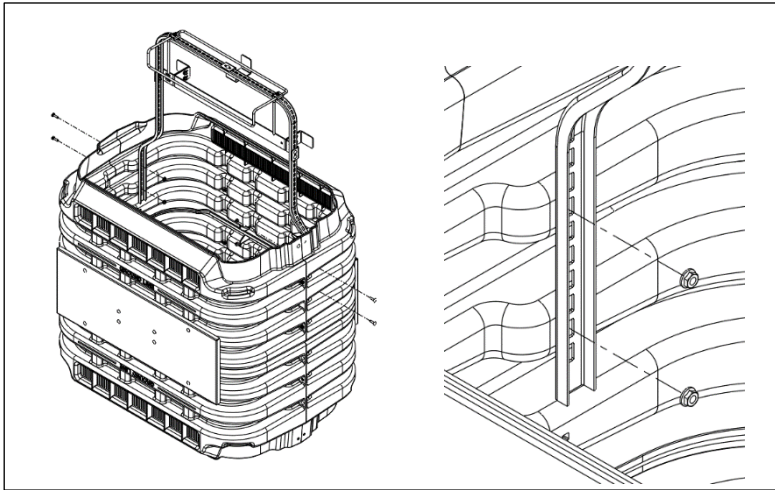


Figure 4 Install Hoop Bracket in New Base

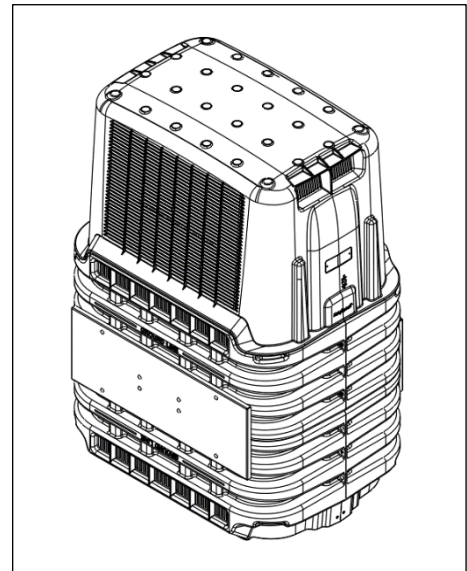


Figure 5 Complete Installation

3. TECHNICAL ASSISTANCE AND CUSTOMER SERVICE

For questions on product repair or if technical assistance is required, contact Charles Technical Support.

847-806-8500

techserv@charlesindustries.com (email)

<http://www.charlesindustries.com/techserv.htm>

For questions on warranty or other customer service assistance, contact your Charles Customer Service Representative.

847-806-6300

mktsev@charlesindustries.com (email)

http://www.charlesindustries.com/main/telecom_sales_support.htm