

Charles Industries' non-metallic Non-Louvered Vertical Pedestals provide ease of installation and maintenance along with robust protection for fiber terminals and passive CATV/broadband components in below grade outside plant cable environments. The pedestals are made of UV stabilized high impact resistance HDPE. Each pedestal comes with a 52 inch mounting stake that is equipped with slotted holes and offers easy installation of hardware and equipment. In addition, a variety of optional brackets are available for mounting specific hardware. During installation, simply bury the pedestal base to the desired depth and backfill. The pedestal has been designed for stability and mitigates pull-over. The pedestals come with a variety of self-locking dome options to address specific security requirements.



B04 PEDESTAL

FEATURES

- Secure and robust for all weather conditions with high-impact resistant UV stabilized material
- Multiple lock, bracket and color options to satisfy customer requirements
- Craft-friendly one-piece dome comes with self-latching lock that slides easily into secure locking position, creating a flood-resistant interior space
- All hardware and bracket options are constructed of aluminum and stainless steel for sturdiness
- 360° access and rectangular shape provide increased workable area



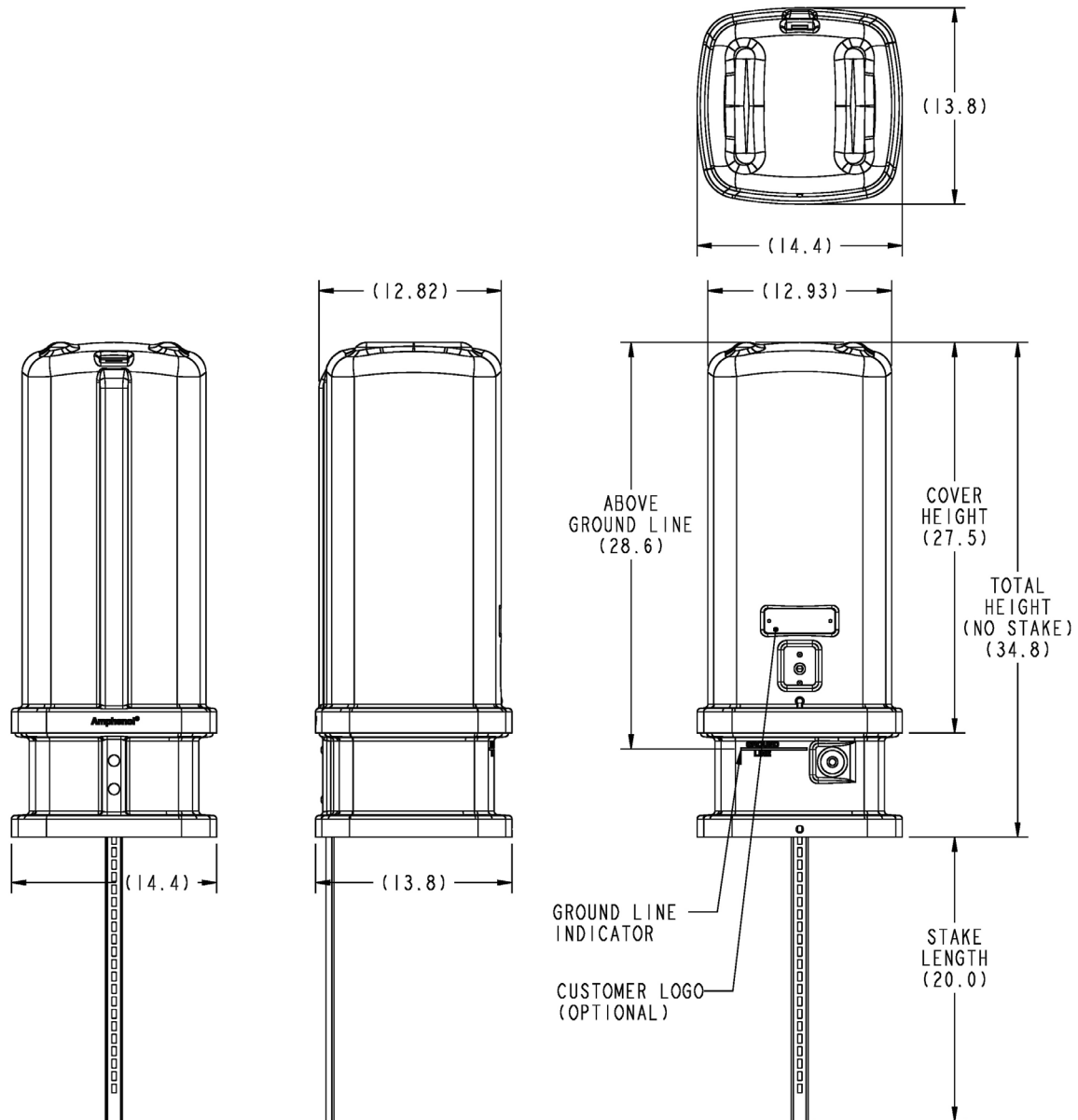
MARKETS SERVED:

- Telecom / FTTX
- Utility
- Wireless
- Broadband Cable

B04 Non-Louvered Vertical Pedestals

DIMENSIONAL VIEWS

All dimensions given in inches.



COLOR OPTIONS

Charles B04 Pedestals are available in UV-resistant colors that will not fade, chalk or discolor. Color is consistent and uniform throughout material. B04 are available in 2 color choices: Light Green and Dark Green

STAKE TYPE

All B04 pedestals come with a 52 inch galvanized steel stake. The stake has mounting slots that can be used to attach various hardware and equipment,

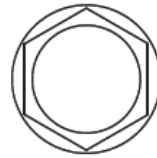
B04 Non-Louvered Vertical Pedestals

LOCK OPTIONS

Code	Description
SS07	Sems 7/16" bolt lock
SCCP	Pattern P-key lock

Available Keys (order separately):

C216-01	Key for Sems Bolt Lock
KEY-S801	Key for S801 Lock
KEY-SCCP	Key for SCCP Lock



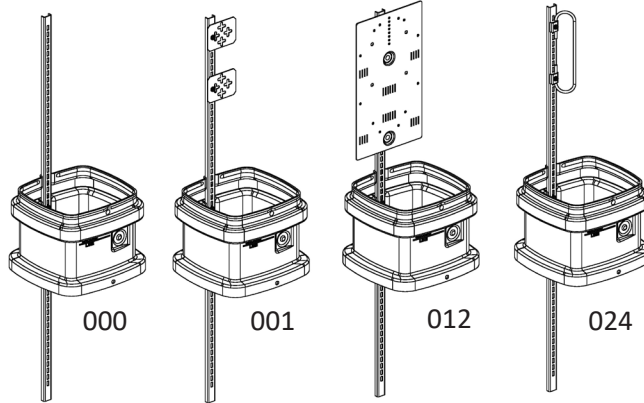
SS07



SCCP

BRACKET OPTIONS

Code	Description
000	Stake only
001	Stake with 2 Mounting Flags
012	Stake with Universal Backboard
024	Stake with C-bracket



STANDARD PART NUMBERS

Part Number	Description
B04SS07-21000BK	12"x12" B04 Pedestal, 29" self locking dome with Sems 7/16" bolt lock, light green, 52" mounting stake
B04SS07-21001BK	12"x12" B04 Pedestal, 29" self locking dome with Sems 7/16" bolt lock, light green, 52" mounting stake with flag brackets
B04SS07-21012BK	12"x12" B04 Pedestal, 29" self locking dome with Sems 7/16" bolt lock, light green, 52" mounting stake with universal backboard
B04SS07-41000BK	12"x12" B04 Pedestal, 29" self locking dome with Sems 7/16" bolt lock, dark green, 52" mounting stake
B04SS07-41001BK	12"x12" B04 Pedestal, 29" self locking dome with Sems 7/16" bolt lock, dark green, 52" mounting stake with flag brackets
B04SS07-41012BK	12"x12" B04 Pedestal, 29" self locking dome with Sems 7/16" bolt lock, dark green, 52" mounting stake with universal backboard

Contact Charles Industries for additional available configurations and part numbers.

Charles Industries, LLC

An Amphenol Company

Voice: (847) 806-6300 • Email: mktsserv@charlesindustries.com

INNOVATIVE ENCLOSED SOLUTIONS™

