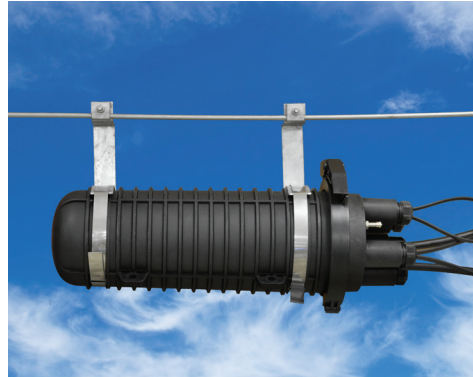


Dome Closures for FTTX Applications

Charles Fiber Optic Dome Closures (FODC) provide a versatile solution for splicing and protecting outdoor fiber connections in a familiar dome form. FODC units can be deployed to support a variety of topologies, including strand, pole mountings, and below-grade vault placements. These closures use mechanical compression technology to provide an easy-to-use economical cable sealing solution. Charles offers two sizes of FODC and accommodates up to 144 (FODC-A) or 288 (FODC-B) single fusion fiber splices.



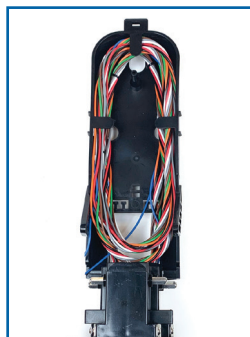
Fiber Optic Dome Closures

FEATURES

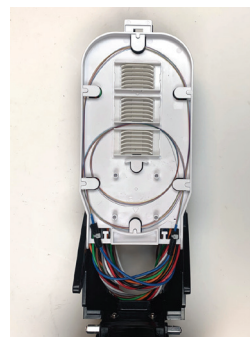
- Robust UV-stabilized glass-filled polypropylene housing
- Available in two sizes- 144 (FODC-A) or 288 (FODC-B) splice capacity
- Units can accommodate single fusion and ribbon fiber splicing
- Fiber splice trays and cable ingress/egress grommets are included
- Closures are aerial, pole, wall or below-grade mountable for flexible placements
- Environmentally sealed and IP 68 rated for below grade deployment

MARKETS SERVED:

- Telecom / FTTX
- Utility
- Wireless
- Broadband Cable



Fiber Basket expresses 144 Fiber Cable



Splice Trays with fiber management & slack storage

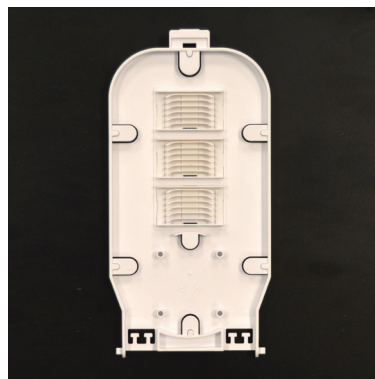
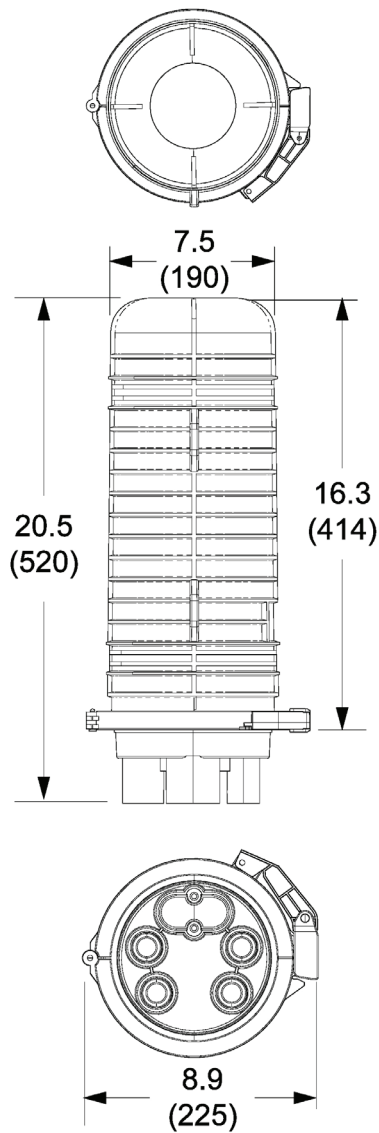


Hinged Splice Trays have a lock-in place feature

FODC-A Product Specifications

Model	FODC-A
External Dimensions	20.5" x 8.9" (520 x 225 mm)
Weight	9.2 lbs. (4.2kg)
Ambient Temperature	-40°F to +149°F (-40°C to +65°C)
Splice Trays	Four (4) 36 Fiber Splice Trays included
Splice Capacity Single Fusion	144 Splices (double stacked)
Feed Cable Port Accommodation	0.315" – 0.689" O.D. (8 – 17.5 mm)
Four Branch Port Cable Entries	Each port can accommodate 0.315" – 0.669" (8 – 17 mm) cable or multiple smaller cables per port. See ordering information for grommet options
Grounding	Optional version with bond connectors and ground wires
Mounting	Optional pole or aerial mounting kits available, sold separately

FODC-A Dimensions



FODC-A Splice Tray

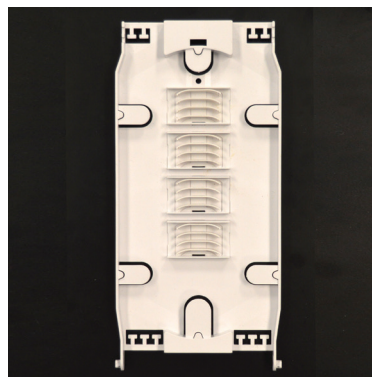
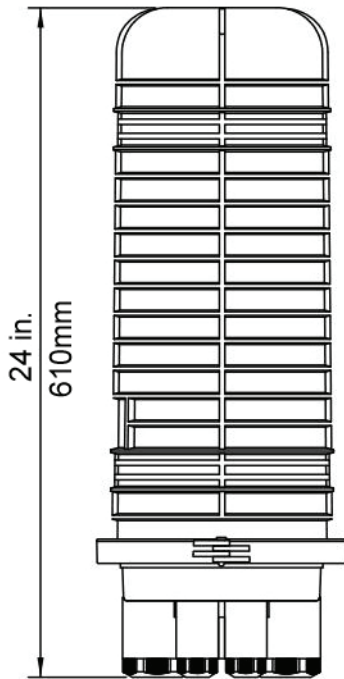
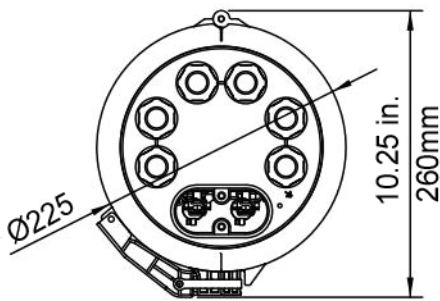


Base Cable Entries

FODC-B Product Specifications

Model	FODC-B
External Dimensions	24" x 10.2" (610 x 260 mm)
Weight	11 lbs. (5kg)
Ambient Temperature	-40°F to +149°F (-40°C to +65°C)
Splice Trays	Six (6) 48 Fiber Splice Trays included
Splice Capacity Single Fusion	288 Splices (triple stacked)
Feed Cable Port Accommodation	0.315" – 0.785" O.D. (8 – 20 mm)
Four Branch Port Cable Entries	Each port can accommodate 0.315" – 0.669" (8 – 17 mm) cable or multiple smaller cables per port. See ordering information for grommet options
Grounding	Optional version with bond connectors and ground wires
Mounting	Optional pole or aerial mounting kits available, sold separately

FODC-B Dimensions



FODC-A Splice Tray



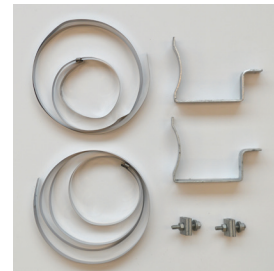
Base Cable Entries

Ordering Specifications

Part Number	Description
FODCA144BCEFN	144 splice capacity dome closure with 4 splice trays and sealing components
FODCA144BG	144 splice capacity dome closure with 4 splice trays and sealing components, includes 4 shield bond connectors & 4 ground wires
FODCB288BCDEF	288 splice capacity dome closure with 6 splice trays and sealing components
FODCB288BG	288 splice capacity dome closure with 4 splice trays and sealing components, includes 4 shield bond connectors & 4 ground wires
97-FODCPLKTA	Pole mount kit for FODC-A with brackets and bands
97-FODCPLKTB	Pole mounting kit for FODC-B with brackets and bands
97-FODCAMKT	Aerial mount kit for FODC-A & FODC-B
97-FODCAGR	Grommet kit: 1-hole 13-17mm, bag of 10
97-FODCBGR	Grommet kit: 1-hole 8-14mm, bag of 10
97-FODCCGR	Grommet kit: 4-hole 5-7mm, bag of 10
97-FODCDGR	Grommet kit: 4-hole 5mm, bag of 10
97-FODCEGR	Grommet kit: 9-hole 3-4mm, bag of 10
97-FODCFLGR	Grommet kit: 2-hole 8x4.5mm, bag of 10
97-FODCHGR	Grommet kit: 2-hole 6-8mm, bag of 10



97-FODCPLKTA



97-FODCAMKT

Please contact your Charles representative for addition configurations

Grommet Options

Branch Port Grommet			
Label	View	Cable Sizes	Ordering Number
A		1-hole 13-17 mm	97-FODCAGR
B		1-hole 8-14 mm	97-FODCBGR
C		4-hole 5-7 mm	97-FODCCGR
D		4-hole 5 mm	97-FODCDGR
E		9-hole 3-4 mm	97-FODCEGR
F		2-hole 8 x 4.5 mm	97-FODCFLGR
H		2-hole 6-8 mm	97-FODCHGR

Grommet kits come 10 grommets and end plates to a bag

Charles Industries, LLC

An Amphenol Company

1450 American Lane, 20th Floor, Schaumburg, IL 60173

mktserv@charlesindustries.com

(847) 806-6300

