

SHRD1 Concealment Shrouds

Pole-Top Radio Shroud



SHRD1 (mid section) shown with Radome antenna shroud (top section) and SKRT1 radio shroud skirt (bottom section)



SHRD1 internal radio mounting bracket

SHRD1 Description

The SHRD1 is a protective shroud enclosure that supports and conceals Small Cell remote radio heads (RRH) and other radio equipment. Its weather-resistant design is suited to outdoor pole-mount applications.

The SHRD1 consists of a central mast with a cylindrical, vented shroud. The mast has mounting brackets for one to three Small Cell RRH units and a top mounting plate for a canister style antenna. SHRD1-3618 models also offer the ability to mount a diplexer. All radio equipment is customer supplied. The shroud panels are removable to allow access to the radio equipment.

SHRD1 are available in heights of 12" to 38" to support various manufacturers' radios and local size restrictions.

The antenna is covered by a Radome antenna shroud (required, sold separately). Optional radio shroud skirts (SKRT1) are also available, providing concealment for cabling as it enters the bottom of the SHRD1.

SHRD1 Specifications

Construction:	Shroud: .090" aluminum; Mast: steel
Bonding/Grounding:	One 2x8 position ground bar on mast base
Operating Temp:	-40° to +131°F, inside enclosure; -40° to +115°F, outside enclosure
Humidity:	0 to 95% (non-condensing)
Altitude:	Up to 2,000 meters (6560')
Weight (empty):	SHRD1-1218 30 lbs. SHRD1-1518 43 lbs. SHRD1-2818 65 lbs. SHRD1-3818 70 lbs.

Many different color finishes are available. Radio shroud skirts and Radome antenna shrouds are available in many different heights. Other pole mount and antenna mount options are available. Please call Charles Industries at 847-806-6300 for further details.

SHRD1 Concealment Shrouds

Pole-Top Radio Shroud

12" HIGH SHRD1-1218 CONFIGURATIONS AND COLOR OPTIONS

PART NUMBER	RADIOS SUPPORTED	COLOR	ANTENNAS SUPPORTED	TOUCH-UP PAINT
SHRD1-1218AVCDX	(1) Ericsson 220x radio	Gray, RAL7035	Gamma Nu OYZ9X360F10 or Galtronics P6480i	02-000590-0
SHRD1-1218AVCFX	(1) Ericsson 220x radio	Black	Gamma Nu OYZ9X360F10 or Galtronics P6480i	02-000589-0
SHRD1-1218AVCGX	(1) Ericsson 220x radio	National Park Brown	Gamma Nu OYZ9X360F10 or Galtronics P6480i	02-000585-0

15" HIGH SHRD1-1518 CONFIGURATIONS AND COLOR OPTIONS

PART NUMBER	RADIOS SUPPORTED	COLOR	ANTENNAS SUPPORTED	TOUCH-UP PAINT
SHRD1-1518AVCDX	(3) Ericsson 220x radios	Gray, RAL7035	Galtronics GQ2410-06621, GQ2414-06790, GC2410-06843, and GQ2412-06613	02-000590-0
SHRD1-1518AVCFX	(3) Ericsson 220x radios	Black	Galtronics GQ2410-06621, GQ2414-06790, GC2410-06843, and GQ2412-06613	02-000589-0
SHRD1-1518AVCGX	(3) Ericsson 220x radios	National Park Brown	Galtronics GQ2410-06621, GQ2414-06790, GC2410-06843, and GQ2412-06613	02-000585-0

28" HIGH SHRD1-2818 CONFIGURATIONS AND COLOR OPTIONS

PART NUMBER*	RADIOS SUPPORTED	COLOR	ANTENNAS SUPPORTED	TOUCH-UP PAINT
SHRD1-2818AVCDS	(3) Ericsson 220x radios / (3) Nokia Airscale Micro radios	Gray, RAL7035	Ace Technology ACOM-2F15D-12P OR Kathrein 84010603-4	02-000590-0
SHRD1-2818AVCFS	(3) Ericsson 220x radios / (3) Nokia Airscale Micro radios	Black	Ace Technology ACOM-2F15D-12P OR Kathrein 84010603-4	02-000589-0
SHRD1-2818AVCGS	(3) Ericsson 220x radios / (3) Nokia Airscale Micro radios	National Park Brown	Ace Technology ACOM-2F15D-12P OR Kathrein 84010603-4	02-000585-0
SHRD1-2818AVCDF	(3) Ericsson 220x radios / (3) Nokia Airscale Micro radios	Gray, RAL7035	Ace Technology ACOM-2F15D-12P OR Kathrein 84010603-4	02-000590-0
SHRD1-2818AVCFF	(3) Ericsson 220x radios / (3) Nokia Airscale Micro radios	Black	Ace Technology ACOM-2F15D-12P OR Kathrein 84010603-4	02-000589-0
SHRD1-2818AVCGF	(3) Ericsson 220x radios / (3) Nokia Airscale Micro radios	National Park Brown	Ace Technology ACOM-2F15D-12P OR Kathrein 84010603-4	02-000585-0

**Part Numbers that end in "F" do not accommodate a skirt. They are for flush mount deployments on larger diameter poles.*

38" HIGH SHRD1-3818 CONFIGURATIONS AND COLOR OPTIONS

PART NUMBER	RADIOS SUPPORTED	COLOR	ANTENNAS SUPPORTED	TOUCH-UP PAINT
SHRD1-3818AVCDX	(3) Ericsson 220x radios / (3) Nokia Airscale Micro radios and Diplexer	Gray, RAL7035	Ace Technology ACOM-2F15D-12P	02-000590-0
SHRD1-3818AVCFX	(3) Ericsson 220x radios / (3) Nokia Airscale Micro radios and Diplexer	Black	Ace Technology ACOM-2F15D-12P	02-000589-0
SHRD1-3818AVCGX	(3) Ericsson 220x radios / (3) Nokia Airscale Micro radios and Diplexer	National Park Brown	Ace Technology ACOM-2F15D-12P	02-000585-0

SHRD1 Concealment Shrouds

Pole-Top Radio Shroud

ACCESSORIES FOR SHRD1 CONCEALMENT SHROUDS

PART NUMBER	DESCRIPTION	COLOR
RD-2418D-A	Radome Antenna Shroud, 26" height x 18" dia.	Gray, RAL7035
RD-2418F-A	Radome Antenna Shroud, 26" height x 18" dia.	Black
RD-2418G-A	Radome Antenna Shroud, 26" height x 18" dia.	National Park Brown
RD-2718D-A	Radome Antenna Shroud, 27" height x 18" dia.	Gray, RAL7035
RD-2718F-A	Radome Antenna Shroud, 27" height x 18" dia.	Black
RD-2718G-A	Radome Antenna Shroud, 27" height x 18" dia.	National Park Brown
RD-3318D-A	Radome Antenna Shroud, 33" height x 18" dia.	Gray, RAL7035
RD-3318F-A	Radome Antenna Shroud, 33" height x 18" dia.	Black
RD-3318G-A	Radome Antenna Shroud, 33" height x 18" dia.	National Park Brown

SKRT1-0418ATXDX	Radio shroud skirt for SHRD1, 4" height x 18" dia.	Gray, RAL7035
SKRT1-0418ATXFX	Radio shroud skirt for SHRD1, 4" height x 18" dia.	Black
SKRT1-0418ATXGX	Radio shroud skirt for SHRD1, 4" height x 18" dia.	National Park Brown
SKRT1-0718ATXDX	Radio shroud skirt for SHRD1, 18" height x 18" dia.	Gray, RAL7035
SKRT1-0718ATXFX	Radio shroud skirt for SHRD1, 18" height x 18" dia.	Black
SKRT1-0718ATXGX	Radio shroud skirt for SHRD1, 18" height x 18" dia.	National Park Brown

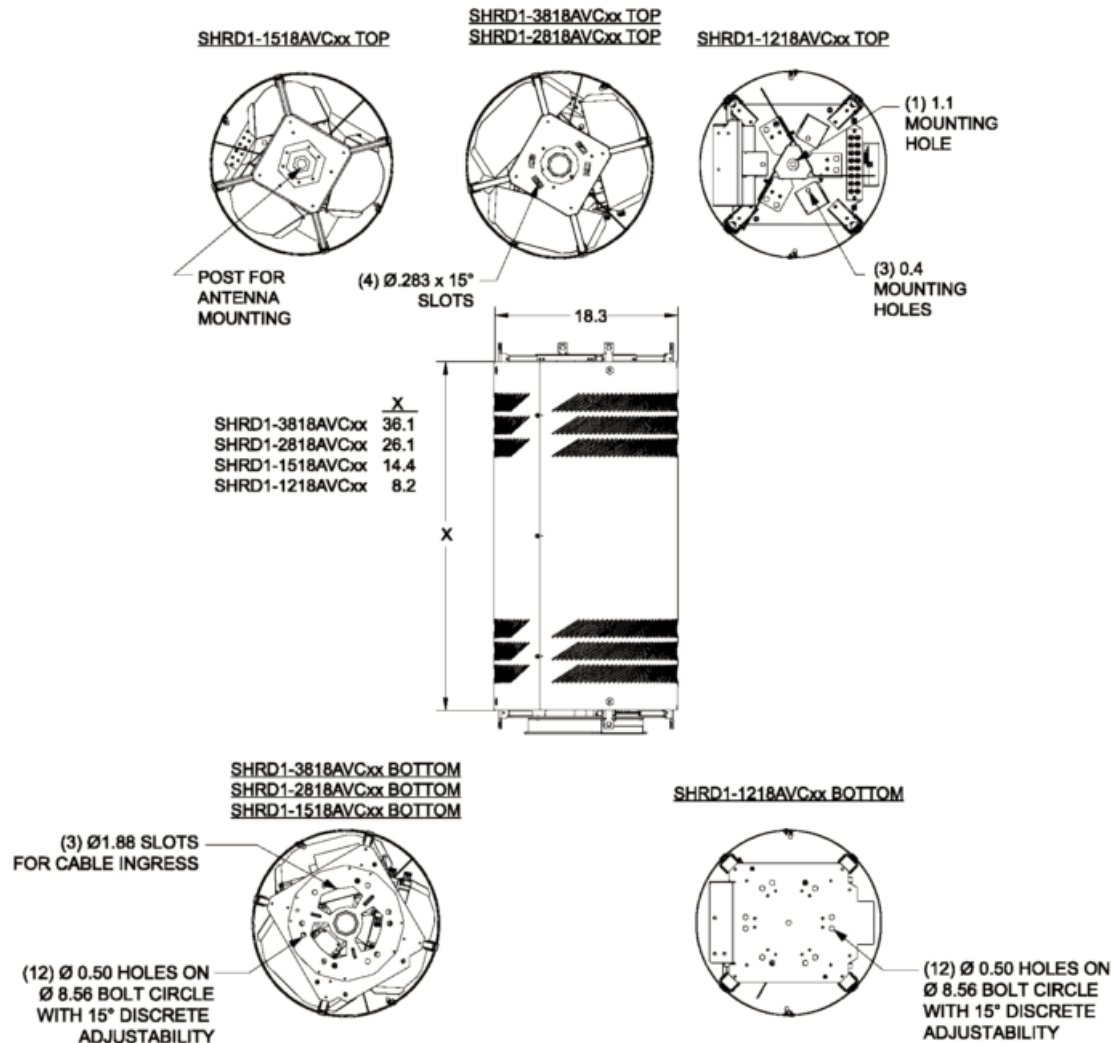


CUT-AWAY VIEW SHOWING ANTENNA AND RADIOS

SHRD1 Concealment Shrouds

Pole-Top Radio Shroud

SHRD1 DIMENSIONS: MULTIPLE HEIGHTS ARE AVAILABLE, SEE CHART BELOW FOR AVAILABLE MODELS/HEIGHTS

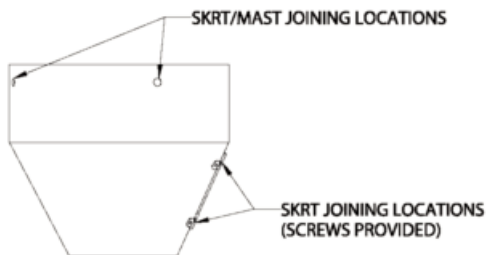
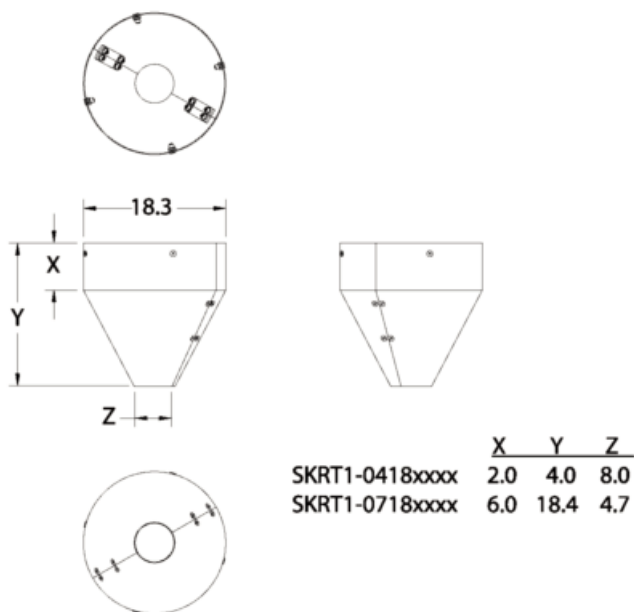


SHRD1 FIELD INSTALLATION

SHRD1 Concealment Shrouds

Pole-Top Radio Shroud

SKRT1 DIMENSIONS (in.)



SKRT1 radio shroud skirts are available in many different heights, call for custom configurations.

RADOME ANTENNA SHROUD

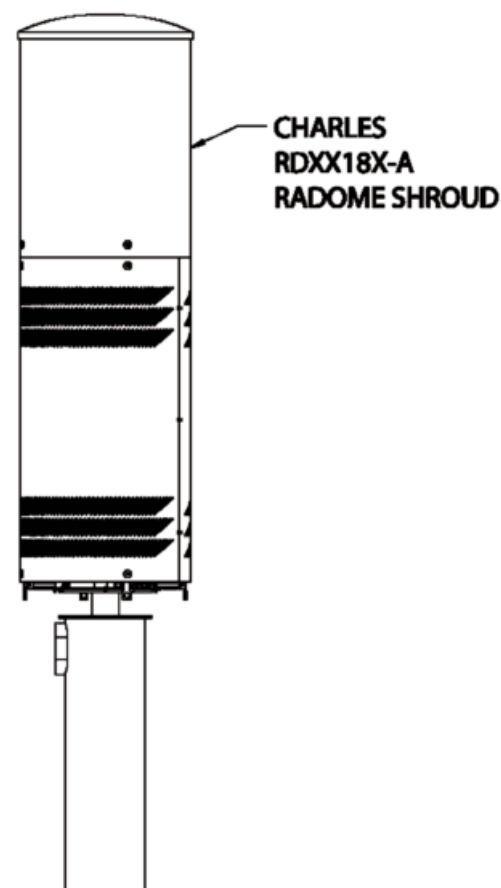


Illustration shows Radome Shroud mounted above SHRD60 for complete installation. Radome Shrouds are available in many different heights, call for custom configurations.

All dimensions given in inches.