

Expanded capacity housings for CATV/Broadband applications



Amphenol Charles Industries' Louvered Low-Profile Housings provide mounting facilities and security for amplifiers, nodes and other equipment. The louvered vents provide excellent heat dissipation with louvered protection. Alignment rods on the side of the pedestal guide the cover into position for an effortless locking of the enclosure. These housings are self-supporting and require no additional mounting stake. Simply bury the housing base to the desired depth and backfill. All hardware and bracketry options are constructed of aluminum and stainless steel. Many different locking options are available to address your specific security needs.

Louvered Low-Profile Housings have a rectangular design with rounded corners and insect-resistant louvers for ventilation. These housings are molded from a polyethylene specifically designed to resist impact, ultraviolet and environmental degradation.



Louvered Low-Profile Housings

FEATURES

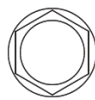
- Secure and cold weather, high-impact resistant
- Craft-friendly cover slides easily into locking position
- Louvered vents provide excellent heat dissipation
- All hardware and bracketry options are constructed of aluminum and stainless steel
- 360° access and rectangular shape provide increased workable space

MODELS & SIZES

Model	Internal Dimensions (in)		External Dimensions (in)	
	Width	Depth	Cover Height	Overall Height
108	30	12	18	29
117	35	15	17	28
109	30	17	20	30
110	35	17	19	30
111	35	18	26	37
114	40	28	27	42

LOCK OPTIONS

Charles offers a variety of lock options including the popular self-locking dome system. This lock system consists of a spring-loaded lock (hook) installed in the housing top that automatically engages a base catch installed in the housing base. No tools are required for lock activation. Simply align the housing top over its base and let go. An audible metallic click signifies that the pedestal is properly locked. The lock (hook) is unlocked by a 1/4 turn rotation of the tamperproof bolt. Available patterns shown below.



Sems Bolt



801



SCCP



Locking Hasp

Available Keys (order separately):

C216-01 Key for Sems Bolt Lock
KEY-S801 Key for S801 Lock
KEY-SCCP Key for SCCP Lock

SS07 = Sems 7/16" bolt lock with self-locking dome system

S801 = Pattern 801 lock with self-locking dome system

SCCP = Pattern P-key lock with self-locking dome system

H011 = Locking hasp 11 mm hole



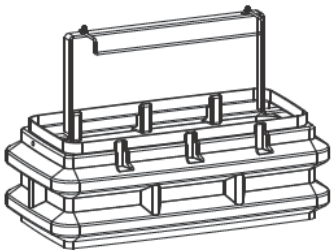
Dome Color Options

Charles CATV Pedestals and Housings are available in UV-resistant colors that will not fade, chalk or discolor. Color is consistent and uniform throughout material. Three standard color choices are:

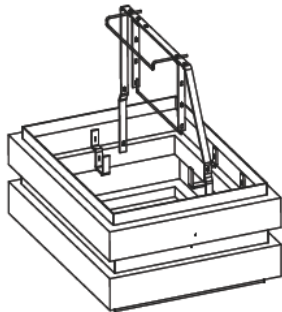
- 1 = Medium Green
- 2 = Light Green
- 4 = Dark Green

Other colors may be available via special order. Please contact Charles Industries for further details.

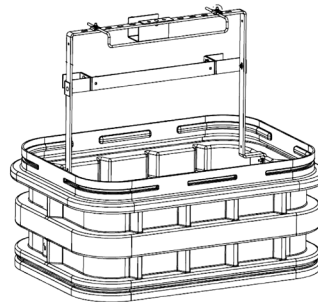
Bracketry Options



A - Low-Profile Bracketry



B - Dual-Position Bracketry



C - Node with Fiber Storage Bracketry

Model	A	B	C
108	002	—	—
117	002	—	—
109	002	—	—
110	002	—	—
111	002	—	007
114	002	003	007

Logo Options

CA = CATV

BK = No Logo/Blank

Contact your sales representative for any specific needs not shown.

Ordering Specifications



<input type="text"/>	<input type="text"/>	<input type="text"/>	<input type="text"/>	<input type="text"/>	<input type="text"/>	<input type="text"/>	-	<input type="text"/>	0	<input type="text"/>	<input type="text"/>	<input type="text"/>	<input type="text"/>	<input type="text"/>	
Model / Size			Lock Option						Dome Color		Bracketry Option			Logo Option	

Sample Part Number

109SS07-10002CA

Description

Model 109 LLPH Housing with Sems 7/18" bolt lock, medium green color, low-profile bracketry, and CATV logo




Looking for other BABA compliant products for BEAD funded projects?
Please inquire with us for more information.

Charles Industries, LLC

An Amphenol Company

1450 American Lane, 20th Floor, Schaumburg, IL 60173

 mktserv@charlesindustries.com

 (847) 806-6300

