

Dome Closure for FTTX Applications

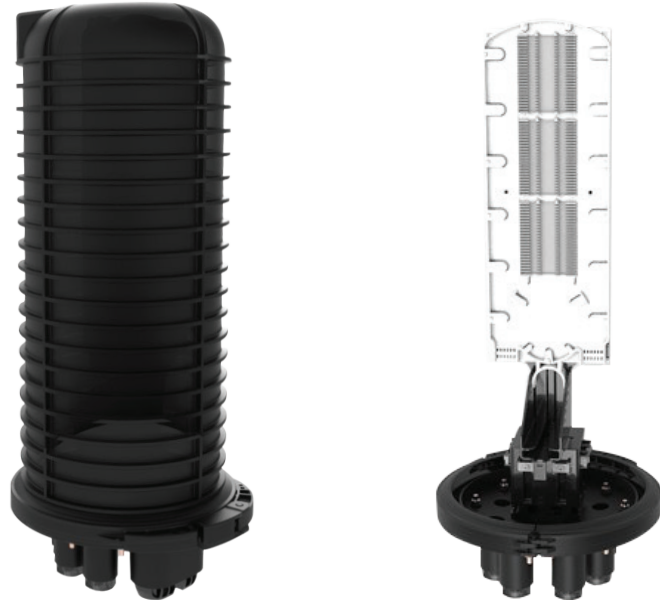
Amphenol Charles industries Fiber Optic Dome closures are robust, versatile, and functional fiber splicing and storage solutions in a common form factor. The FODC-C unit is a large closure that can support up to 576 single fusion splices or 3,456 mass fusion splices in a relatively compact size.

FODC utilizes easy to use cost effective compression grommet cable sealing technology. There is a dual feed port that can fit up to 25mm diameter cables. The 6 branch ports can fit up to 17.5mm diameter cables. The branch ports can also utilize smaller size branch or drop cables with optional multi-cable grommets. The closure also features a large fiber storage basket.

The closures can accommodate up to 8 splice trays. There are two types of splice trays. One is a tray for 72 single fusion splices and a second tray for mass fusion splicing. The mass fusion tray can accommodate up to 144 mass fusion splices with ribbon slack in the tray and up to 432 mass fusion splices with ribbon slack stored in the fiber basket.

MARKETS SERVED:

- Telecom / FTTX
- Utility
- Wireless
- Broadband Cable



FODC-C

FEATURES

- Robust glass filled polypropylene housing
- Common butt splice dome form factor can be deployed aerially, on a pole, in a multipurpose pedestal, or in a vault
- Integrated O-ring for ease of use
- Cost effective reliable compression grommet sealing technology
- Comes standard with individual ground studs for each cable
- Can accommodate up to 576 single fusion and 3456 mass fusion splices
- IP68 rated for below grade deployments



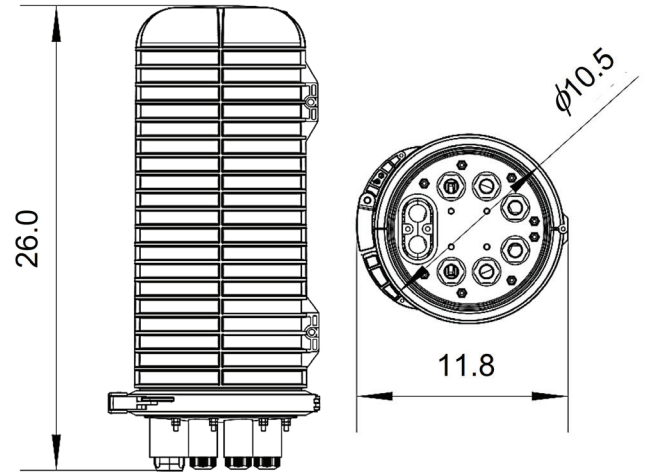
Dual feed port and 6 branch port



Large fiber basket

FODC-C Product Specifications & Outline Dimension

Material	Glass-filled Polypropylene
Weight	Approx. 14 lb.
Main port	Dual feed port: 10 – 25mm (0.394" – 1.0")
Branch ports	6 ports: 8 – 17.5 mm or multi-cable grommets
Tray Capacity	Single fusion: 72 splice slots, 8 tray capacity Mass fusion: 36 splice slots, 8 tray capacity
Splice capacity	Model Single fusion: 576 fiber Mass fusion: 1152 (slack in tray)/3456 (slack in basket)
Cable sealing	Compression grommets
Grounding	8 ground studs installed
Rating	IP68



Ordering Information


FODCC576BG	FODC-C housing, dual feed port, 6 branch ports, (1) 72 fiber splice tray, sealing components for feed port, 8-17.5 mm sealing grommets for branch ports., 72pc splice sleeves (Additional trays and additional size grommets available separately)
97-FODCC72TRAY	FODC-C 72 splice tray
97-FODCCRBTRAY	FODC-C Ribbon tray
97-FODCAGR	FODC branch port grommet kit, 1-hole for 13-18 mm cable, kit of 10
97-FODCCGR	FODC branch port grommet kit, 4-hole 4-5mm, kit of 10
97-FODCDGR	FODC branch port grommet kit, 4-hole 5-7mm, kit of 10
97-FODCEGR	FODC branch port grommet kit, 9-hole 3mm, kit of 10
97-FODCFLGR	FODC branch port grommet kit, 2--hole 8x4mm, kit of 10
97-FODCHGR	FODC branch port grommet kit, 2-hole 6-8mm, kit of 10

Charles Industries, LLC

An Amphenol Company

1450 American Lane, 20th Floor, Schaumburg, IL 60173

 mktsev@charlesindustries.com

 (847) 806-6300

