

Non-metallic buried copper distribution pedestals featuring a one-piece locking dome for flood resistance

Pedlock CPLS Series Pedestals provide the flexibility, durability and reliability to be the all-purpose copper splice closure for telecom service providers.

The CPLS Series was designed to provide a variety of full feature, non-metallic pedestals with the lowest total cost of ownership. CPLS Series pedestals are available in 6", 8", 10", and 12" diameter sizes. They feature a common dome height across all sizes, allowing technicians to standardize the length of exposed cable loops and cable ends during cable placement.

CPLS Series, like all Amphenol Charles Pedlock Buried Distribution Pedestals, feature a base and one-piece locking dome that create a patented "bell-jar effect" for flood-proof protection of inner cabling. CPLS Pedestals are an excellent choice for flood prone areas and have proven themselves in the field for more than 30 years.



CPLS

RUS PEDESTAL SPLICE CAPACITY GUIDELINES

Pedestal Type	Maximum straight splice pair capacity using single pair connectors or multiple pair splice modules	Maximum load splice pair capacity using single pair connectors or multiple pair splice modules
CPLS6	100 pair.....	50 pair.....
CPLS8	200 pair.....	100 pair.....
CPLS10	600 pair.....	300 pair.....
CPLS12	1200 pair.....	600 pair.....

*Per RUS Regulation 7 CFR - Chapter XVII - Part 1755, issued January 2000

MARKETS SERVED:

- Telecom / FTTX
- Utility
- Wireless
- Broadband Cable

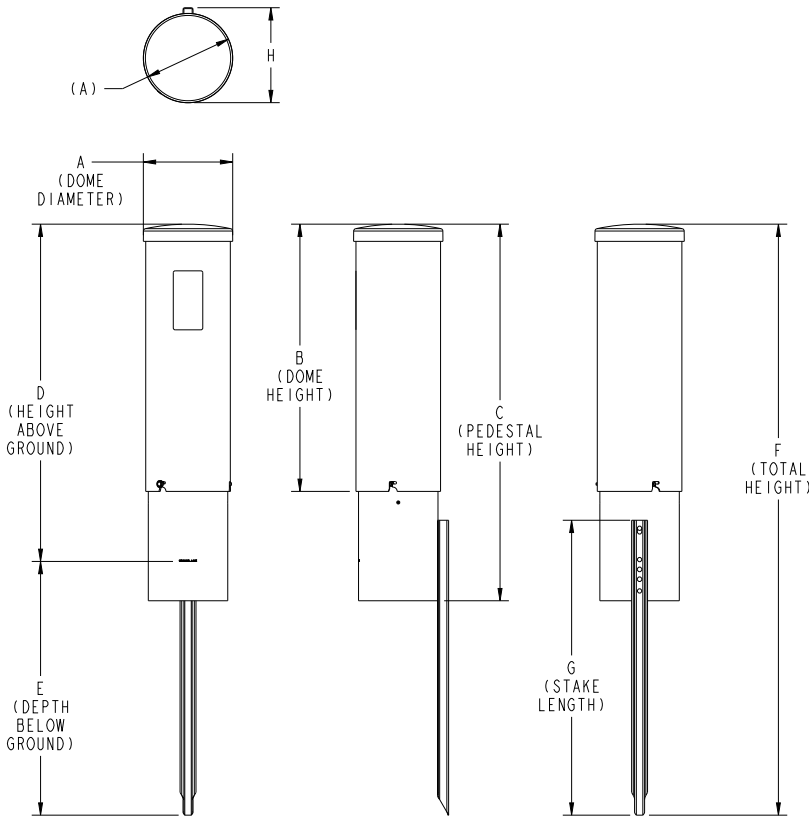
FEATURES

- Designed to house and protect small to medium pair count terminations and splices
- Non-metallic, lightweight PVC construction resists corrosion, impact, fire, floods, chemicals and insects
- Rigid, non-conductive splice bracket easily secures to rail mounting system in pedestal base
- Offset ladder bars provide extra splicing capacity and are repositionable for added convenience
- 5-post metal grounding bar with ground lug designed to meet all RUS grounding requirements
- Drop wire channel facilitates wire management
- Lift-off dome allows 360° access to internal areas

Product Outline Dimensions

CPLS Series 2 Round Base with Stake Dimensions

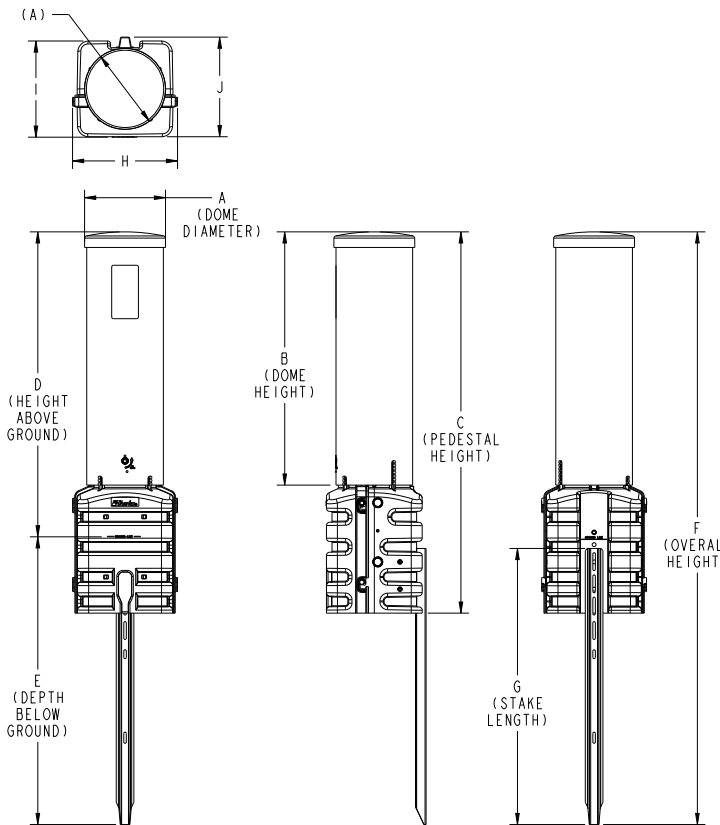
All dimensions are in inches



Size	A	B	C	D	E	F	G	H
6"	7.4"	27.4"	38.4"	34.4"	26.9"	61.3"	31"	7.8"
8"	8.9"	27.2"	38.2"	34.2"	26.9"	61.1"	31"	9.3"
10"	11.7"	27.2"	38.2"	34.2"	27"	61.2"	31"	12"
12"	13.6"	27.5"	38.5"	34.5"	26.9"	61.4"	31"	14"

CPLS Series 2 Split Base with Stake Dimensions

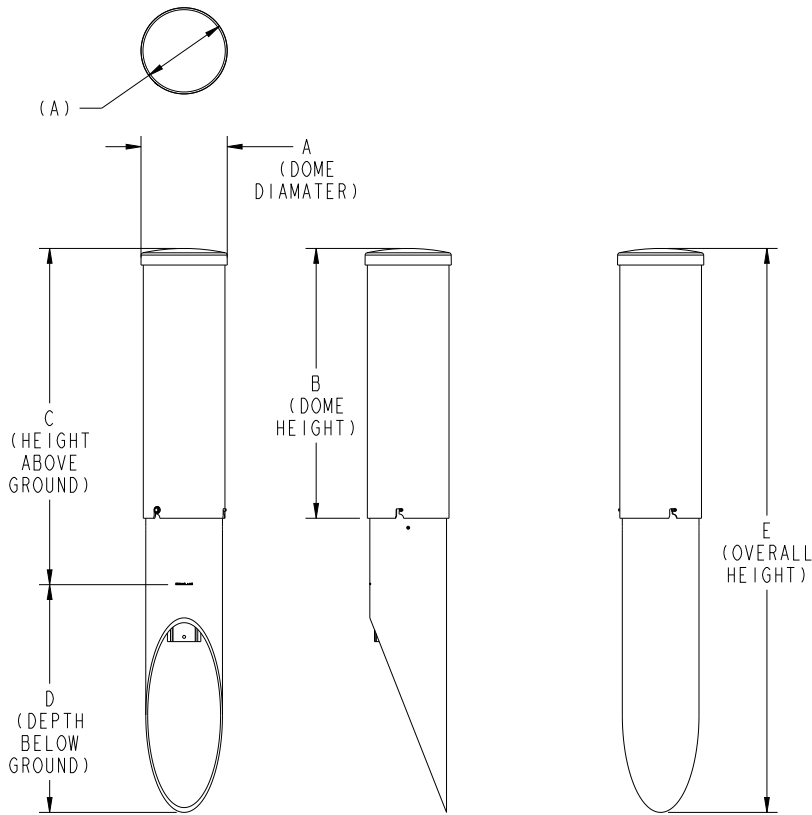
All dimensions are in inches



Size	A	B	C	D	E	F	G	H	I	J
6"	7.4"	28.7"	43.1"	34.5"	31.3"	65.9"	31"	10.8"	9.8"	9.9"
8"	9.1"	28.4"	42.8"	34.2"	31.4"	65.6"	31"	11.8"	10.8"	10.9"
10"	11.7"	28.45"	43.35"	34.75"	31.4"	66.15"	31"	13.8"	12.8"	12.9"
12"	13.4"	28.8"	43.7"	35.1"	31.3"	66.4"	31"	16.1"	15.1"	15.1"

Product Outline Dimensions

CPLS Series 2 Integral Stake Dimensions



All dimensions are in inches

Size	A	B	C	D	E
6"	7.4"	27.4"	34.4"	24"	58.4"
8"	9.1"	27.2"	34.2"	24"	58.2"
10"	11.7"	27.2"	34.2"	24"	58.2"
12"	13.6"	27.5"	34.5"	24"	58.5"

Ordering Information

Part Number	Description
CPLS 6	6" Pedestal, round base, "S" bracket w/2 offset ladder bars, service wire channel
CPLS 8	8" Pedestal, round base, "S" bracket w/2 offset ladder bars, service wire channel
CPLS 10	10" Pedestal, round base, "S" bracket w/2 offset ladder bars, service wire channel
CPLS 12	12" Pedestal, round base, "S" bracket w/2 offset ladder bars, service wire channel
CPLS 6-I	6" Pedestal, integral stake base, "S" bracket w/2 offset ladder bars, service wire channel
CPLS 8-I	8" Pedestal, integral stake base, "S" bracket w/2 offset ladder bars, service wire channel
CPLS 10-I	10" Pedestal, integral stake base, "S" bracket w/2 offset ladder bars, service wire channel
CPLS 12-I	12" Pedestal, integral stake base, "S" bracket w/2 offset ladder bars, service wire channel
CPLS 6-R	6" Pedestal, rehab (split) base, "S" bracket w/2 offset ladder bars, service wire channel
CPLS 8-R	8" Pedestal, rehab (split) base, "S" bracket w/2 offset ladder bars, service wire channel
CPLS 10-R	10" Pedestal, rehab (split) base, "S" bracket w/2 offset ladder bars, service wire channel
CPLS 12-R	12" Pedestal, rehab (split) base, "S" bracket w/2 offset ladder bars, service wire channel
CPLS 6-E	6" Pedestal, split square base, "S" bracket w/2 offset ladder bars, service wire channel
CPLS 8-E	8" Pedestal, split square base, "S" bracket w/2 offset ladder bars, service wire channel
CPLS 10-E	10" Pedestal, split square base, "S" bracket w/2 offset ladder bars, service wire channel
CPLS 12-E	12" Pedestal, split square base, "S" bracket w/2 offset ladder bars, service wire channel

Ordering Information

PEDESTAL ACCESSORIES


Part Number	Description
97-500512-A	Ground Lug (pkg. 100)
97-PKOR06-A	6" Hi-Viz Kap (pkg. 50)
97-PKOR08-A	8" Hi-Viz Kap (pkg. 50)
97-PKOR10-A	10" Hi-Viz Kap (pkg. 25)
97-500504-A	6" Ladder Bar Kit (pkg. 50)
97-500505-A	8" Ladder Bar Kit (pkg. 50)
97-500506-A	10" Ladder Bar Kit (pkg. 50)
97-500507-A	12" Ladder Bar Kit (pkg. 50)
80-001533-F	6" Split Round Base (CPLS,CPLS-I,CPLS-R)
80-001534-F	8" Split Round Base (CPLS,CPLS-I,CPLS-R)
80-001535-F	10" Split Round Base (CPLS,CPLS-I,CPLS-R)
80-001283-F	12" Split Round Base (CPLS,CPLS-I,CPLS-R)
002271F	Standard 6" copper dome assembly, 6" X 26.5" (CPLS,CPLS-I,CPLS-R)
003151F	Standard 8" copper dome assembly, 8" X 26.5" (CPLS,CPLS-I,CPLS-R)
002295F	Standard 10" copper dome assembly, 10" X 26.5" (CPLS,CPLS-I,CPLS-R)
97-DOME206RPLKT	Standard 6" copper dome assembly (CPLS-E)
97-DOME208RPLKT	Standard 8" copper dome assembly (CPLS-E)
97-DOME21031RPL	Standard 10" copper dome assembly (CPLS-E)
97-DOME1227RPL	Standard 12" copper dome assembly (CPLS-E)
002458F	Complete backboard for 6" CPLS
003299F	Complete backboard for 8" CPLS
002459F	Complete backboard for 10" CPLS
80-001880-F	6" Split square base (CPLS-E)
80-001881-F	8" Split square base (CPLS-E)
80-001882-F	10" Split square base (CPLS-E)
80-001883-F	12" Split square base (CPLS-E)
24-100946-F	Service wire channel kit, 2.5" X 12.5" (25 pieces)
18-900731-F	Rectangular drop channel plug kit (25 pieces)
010376-F	1.25" black rubber base grommet plug (25 pieces)
PHP10	10" base hole plug; PVC green (100 pieces)
PHP68	6" & 8" base hole plug; PVC green (100 pieces)
UMS30-STD	Metal mounting stake and hardware, 30" Length
UMS36-STD	Metal mounting stake and hardware, 36" Length
UMS42-STD	Metal mounting stake and hardware, 42" Length
UMB102A	Universal pole mounting bracket kit

Charles Industries, LLC

An Amphenol Company

1450 American Lane, 20th Floor, Schaumburg, IL 60173

 mktsserv@charlesindustries.com

 (847) 806-6300

