



Charles Fiber Interconnect Terminal - Slim (CFIT-SL) for Fiber to the Home Deployments



Charles Fiber Interconnect Terminal - Slim (CFIT-SL) is an ideal solution for tapped trunk FTTH architectures. The CFIT-SL, used in conjunction with Charles Optical Tap Trays, provide a flexible platform for delivering triple play services. The compact size of the CFIT-SL allows a single technician to easily install the enclosure and its slim profile makes it an ideal post or pole mount FTTH distribution solution.

The CFIT-SL is constructed out of lightweight aluminum with an off-white coated finish. It offers superior environmental protection in all outdoor applications. Cable entry grommets and internal strain relief provide fiber management while protecting your investment.

The CFIT-SL may also be used as a convenient, easy-to-deploy 144 count splice enclosure.

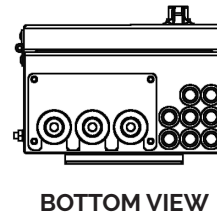
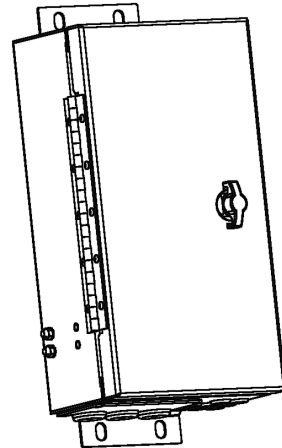
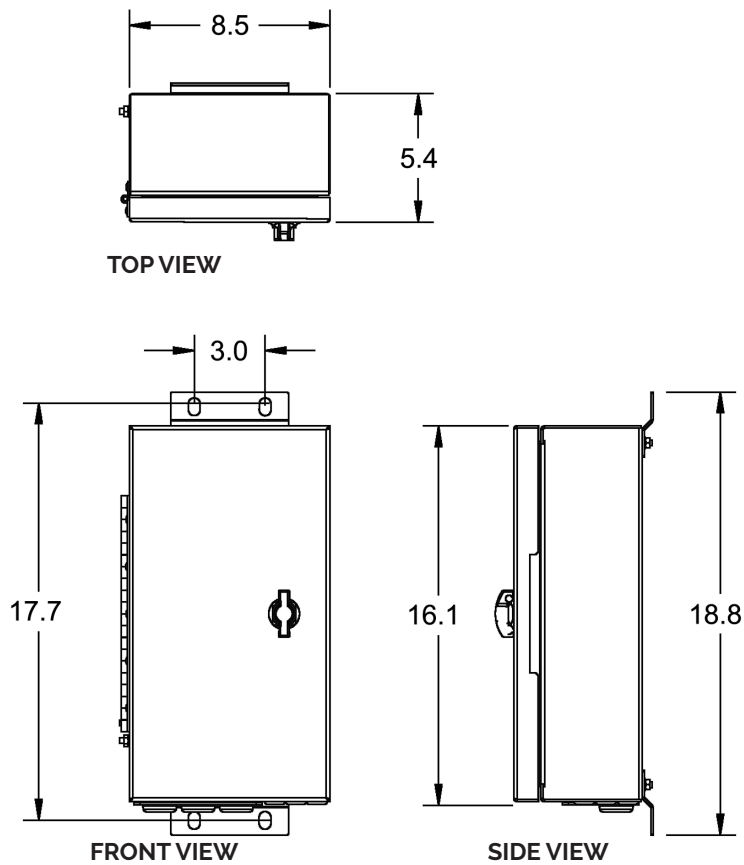
Specifications:

| | |
|-----------------------|---|
| Dimensions: | 16"H x 8.5"W x 5.5"D (18.75"H x 8.5"W x 5.5"D with mounting brackets) |
| Weight: | 7 lbs. |
| Construction: | Welded Aluminum with Powder Coat Finish |
| Bulkhead Capacity: | Eight (8) SC Adapters |
| Splice Tray Capacity: | Six (6) 4"x9" Fiber Splice Trays (order separately, see back page) |
| Cable Ingress/Egress: | Three (3) Large Grommets and Eight (8) Small Grommets |
| Security Features: | 1/4-Turn Non-Locking Door Latch |
| Mounting: | Wall (Brackets Provided) or Pole/Post (Optional Pole Mount Kit) |



| Charles Part # | Description |
|----------------|---|
| CFIT-SL1XZ | 8 port SC/APC, 3 large grommets and 8 small grommets, 1/4-turn door latch |
| 97-CABPMTKIT | Pole Mount Kit (includes hardware) |

All dimensions are in inches



Cable Ingress/Egress:

- Three (3) Large Grommets (for 0.75" dia. cables)
- Eight (8) Small Grommets (for 0.44" dia. cables)

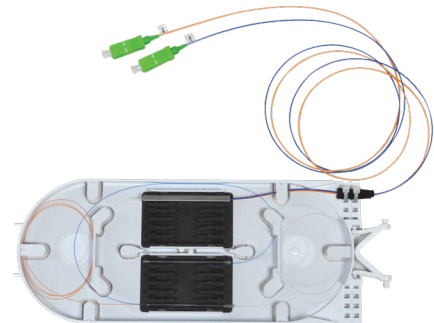
CHARLES FIBER SPLICE TRAYS



- Compact 4"x9" tray size accommodates up to 24 single fusion splices, two mass fusion splices (12 fiber ribbons), or up to 12 mechanical splices per tray
- Dust cover, ID label and cable ties included

Part #: 97-FIBR24TRAY

CHARLES FIBER SPLITTER TRAYS WITH OPTICAL TAPS (CFST-AFT Series)




- Compact 4"x9" tray size with 2, 4 or 8 tap ports
- Input and pass-thru legs are stub, 250µm, 4.5 ft.; drop legs are SC/APC, 900µm buffer, 22" length minimum
- Available in many different configurations of max drop leg and pass-thru specifications for insertion loss

Charles Industries, LLC

An Amphenol Company

1450 American Lane, 20th Floor, Schaumburg, IL 60173

 mktserv@charlesindustries.com

 (847) 806-6300

