

Closed architecture fiber pedestals feature an “enclosure within an enclosure” design for superior environmental protection

Charles Fiber Distribution Points (CFDP) pedestal offers a two-stage environmental protection of fiber optic loop distribution cable and customer service drops in FTTP deployments. The two-stage protection is accomplished in 6-24 cable drops per pedestal. The CFDP-EPS pedestals feature an inner and outer dome while the CFDP-ELS pedestals offer an “enhanced security” outer dome and two inner compartments with locking doors. These “enclosure within an enclosure” combinations are designed to exceed Telcordia GR-771-CORE specifications and provide an unbeatable line of defense against the elements.

CFDPs are designed to provide the user with maximum flexibility in splicing techniques. They can accommodate loop-through and stub-out distribution cable, ribbon and loose buffer tube type cable, branch and drop splices, and fiber slack storage. CFDPs are available in 6", 8", 10" and 12" pedestal diameters, accommodating 6-24 cable drops per pedestal.

MARKETS SERVED:

- Telecom / FTTH
- Utility
- Wireless
- Broadband Cable



CFDP210-EPS
(Inner Dome)

CFDP210-ELS
(Double Doors)

FEATURES

- Interior weather-tight enclosure provides mechanical and environmental protection of splice and cable storage areas
- Lift-off outer dome has self-locking mechanism and creates a patented “Bell-Jar Effect” to protect against floods
- Constructed of non-metallic PVC to resist rust, corrosion, impact, fire, dirt, insects, and debris
- 8 D-clips included per pedestal for ribbon fiber, optional ribbon fiber accessories available
- Flexible fiber organizer design allows splicing on one or both sides, cable management, removable bond bar, strength member clamps and bend radius controls
- Two-piece “split” base for technician-friendly installation
- Expanded-capacity base easily accommodates conduit bundles and increases stability in all soil types, vault mount base also available

CFDP make protecting fiber splices and storing slack cable as easy as 1-2-3!

1.)

Central office cables are spliced to branch and drop cables within the free breathing, weather-tight interior enclosure. All cable ports are sealed by rubber grommets.



2.)

The interior enclosure is sealed with a top-locking dome, creating a weather-tight seal that keeps out moisture, dirt, and debris. CFDP-EPS is shown (inner dome), CFDP-ELS (inner doors) also available.



3.)

A self-locking exterior dome is then placed over the interior enclosure, creating a flood barrier and an additional layer of protection against the elements.



Enhanced-Security Option (CFDP-ELS)

An Enhanced-Security option (ELS) is available for CFDP in diameters 6" and above. This option divides distribution and drop sides into two separate compartments. The EnhancedSecurity option is designed for those service providers that prefer to restrict access between splicers and service installers. Both compartments retain their weather-tight properties.



Vault Mount Option

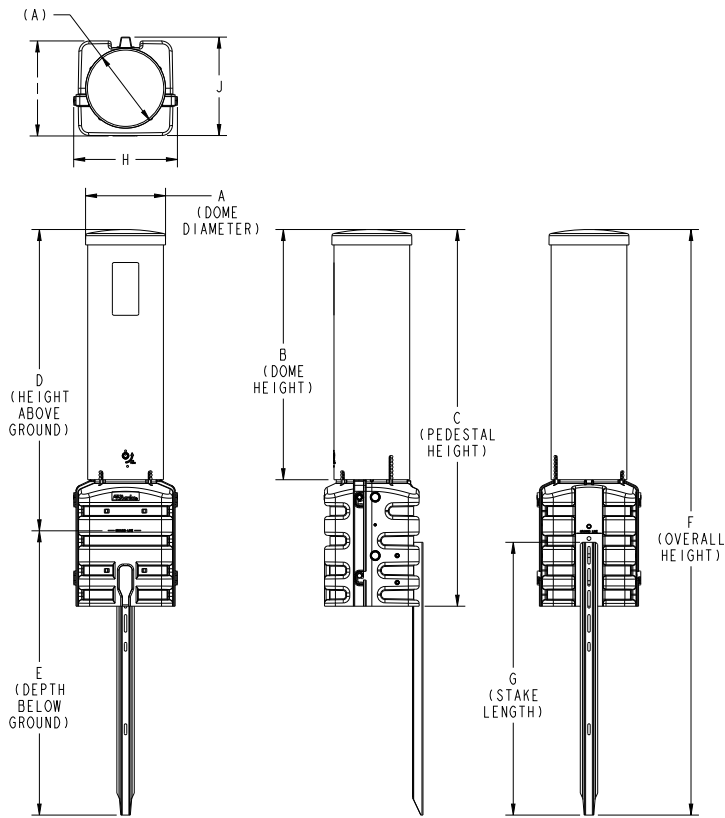
All CFDP pedestals are available in a vault mount configuration fitting on most handhole manufacturers' lids. Add a "V" suffix after designated square base character ("E") of part number to include a vault mount base & hardware. (Example: CFDP210-EVPS)



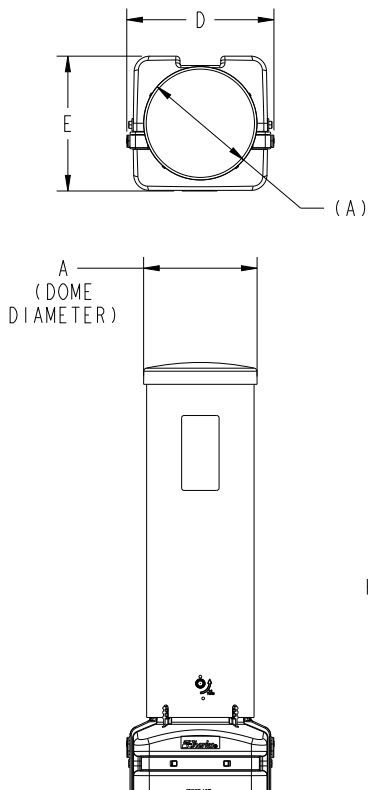
Product Outline Dimensions

Series 2 Split Base with Stake Dimensions

All dimensions are in inches



Size	A	B	C	D	E	F	G	H	I	J
6	7.4	28.7	43.1	34.5	31.3	65.9	31	10.8	9.8	9.9
8	9.1	28.4	42.8	34.2	31.4	65.6	31	11.8	10.8	10.9
10	11.7	31.7	46.6	38	31.4	69.4	31	13.8	12.8	12.9
12	13.4	36.05	50.95	42.35	31.3	73.65	31	16.1	15.1	15.1



Size	A	B	C	D	E
6	7.4	28.7	34.7	10.8	9.8
8	9.1	28.4	34.5	11.8	10.8
10	11.7	31.7	38.2	13.8	12.8
12	13.6	36.05	42.45	16.1	15.1

Product Specification

CFDP-EPS STANDARD CONFIGURATION (INNER DOME)

Part Number	CFDP206-EPS	CFDP208-EPS	CFDP210-EPS
Diameter	6"	8"	10"
Large Cable Ports (1" dia. Max)	3	4	6
Small Cable Drop Ports (5/8" dia. Max)	8	12	14
12 Fiber Ribbon Storage (Opening 12ft±2ft)	12 Feed Side	24 Feed Side	72 Feed Side
Loose Tube Storage (Opening 12ft±2ft)	8 Feed Side	12 Feed Side	24 Feed Side
Splice Tray Capacity ¹	4 (4"x9")	4 (4"x9")	7 (4"x9) or 5 (6"x15")
Maximum Splice Capacity ²	12 Fibers per Tray	48	84
	24 Fibers per Tray	96	168
	48 Fibers per Tray ³	N/A	240
	144 FOSC A/B Fiber Ribbon Tray ⁴	144	288

CFDP-ELS ENHANCED SECURITY OPTION (SEPARATE DISTRIBUTION AND DROP COMPARTMENTS)

Part Number	CFDP206-ELS	CFDP208-ELS	CFDP210-ELS	CFDP12-ELS
Diameter	6"	8"	10"	12"
Large Cable Ports (1" dia. Max)	3	4	6	6
Small Cable Drop Ports (5/8" dia. Max)	8	12	14	22
12 Fiber Ribbon Storage (Opening 12ft±2ft)	12 Feed Side	24 Feed Side	72 Feed Side	72 Feed Side
Loose Tube Storage (Opening 12ft±2ft)	6 Feed Side	9 Feed Side	24 Feed Side	24 Feed Side
Splice Tray Capacity ¹	Drop Side	4 (4"x9")	4 (4"x9") or 2 (6"x15")	5 (4"x9") or 4 (6"x15")
	Feed Side	2 (4"x9")	2 (4"x9")	8 (4"x9") or 6 (6"x15")
Maximum Splice Capacity ²	12 Fibers per Tray	24 Feed / 48 Drop	24 Feed / 48 Drop	60 Feed / 48 Drop
	24 Fibers per Tray	48 Feed / 96 Drop	48 Feed / 96 Drop	120 Feed / 96 Drop
	48 Fibers per Tray ³	N/A	N/A	144 Feed / 96 Drop
	144 FOSC A/B Fiber Ribbon Tray ⁴	144 Feed / 144 Drop	144 Feed / 288 Drop	288 Feed / 144 Drop

Notes:

¹ CFDP pedestals ship with one 4"x9" splice tray included. Order part #97-FIBR24TRAY for additional trays.

² Maximum splice capacities shown are for cable-to-cable splices. Overall splice capacity is reduced as drop splices are introduced. For drop splices, Charles recommends using a 12 Fiber Tray with a maximum of 6 drops per tray.

³ Capacities shown achieved using FOSC D Fiber Splice Trays.

⁴ Capacities shown achieved using FOSC A/B Ribbon Fiber Tray(s). See ribbon fiber accessory list at top of page

Ordering Specification

Charles Part Number	Description
CFDP206-EPS	6" diameter pedestal, expanded square base, sealed inner dome, Greenfield fiber splicing organizer, splice tray
CFDP206-ELS	6" diameter pedestal, expanded split base, sealed inner double doors, Greenfield fiber splicing organizer, splice tray
CFDP208-EPS	8" diameter pedestal, expanded split base, sealed inner dome, Greenfield fiber splicing organizer, splice tray
CFDP208-ELS	8" diameter pedestal, expanded split base, sealed inner double doors, Greenfield fiber splicing organizer, splice tray
CFDP210-EPS	10" diameter pedestal, expanded split base, sealed inner dome Greenfield fiber splicing organizer & splice tray
CFDP210-ELS	10" diameter pedestal, expanded split base, sealed inner double doors, Greenfield fiber splicing organizer & splice tray
CFDP12-ELS	12" diameter pedestal, expanded square base, sealed inner doors, splice only, splice tray
CFDP206-EVPS	6" diameter pedestal, expanded square vault mount base with mounting hardware, moisture pad, sealed inner dome, Greenfield fiber splicing organizer, splice tray
CFDP206-EVLS	6" diameter pedestal, expanded square vault mount base with mounting hardware, moisture pad, sealed inner double doors, Greenfield fiber splicing organizer, splice tray
CFDP208-EVPS	8" diameter pedestal, expanded square vault mount base with mounting hardware, moisture pad, sealed inner dome, Greenfield fiber splicing organizer, splice tray
CFDP208-EVLS	8" diameter pedestal, expanded square vault mount base with mounting hardware, moisture pad, sealed inner double doors, Greenfield fiber splicing organizer, splice tray
CFDP210-EVPS	10" diameter pedestal, expanded square vault mount base with mounting hardware, moisture pad, sealed inner dome, Greenfield fiber splicing organizer & splice tray
CFDP210-EVLS	10" diameter pedestal, expanded square vault mount base with mounting hardware, moisture pad, sealed inner double doors, Greenfield fiber splicing organizer & splice tray
CFDP12-EVLS	12" diameter pedestal, expanded square vault mount base with mounting hardware, moisture pad, sealed inner doors, splice only, splice tray

Pedestal Accessories

	Description
97-FIBR24TRAY	Charles 24 Fiber Splice Tray, 4"x9"
UMS36-STD	36" Metal Mounting Stake w/hardware
UMS42-STD	42" Metal Mounting Stake w/hardware
UMB102A	Universal Pole Mount Bracket w/hardware
97-FIBR24TRAY	Charles 24 Fiber Splice Tray, 4"x9"
97-RIBNTRAY144	Commscope® FOSC A/B ribbon splice tray (144 fibers), 1 eac
97-RIBNTUBEKIT	Ribbon transportation tube kit, 3 ft., 10 ea.
97-RIBNCLIPKIT	Ribbon saddle clip kit (6" and 8" size), 40 ea.
97-RIBNCLIPLG	Ribbon saddle clip kit large (10" and 12" size), 40 ea.


Commscope is a registered trademark of the CommScope Holding Company, Inc.

Charles Industries, LLC

An Amphenol Company

1450 American Lane, 20th Floor, Schaumburg, IL 60173

 mktserv@charlesindustries.com

 (847) 806-6300

