

Buried Distribution Pedestals designed for use with hardened connector fiber drop cables

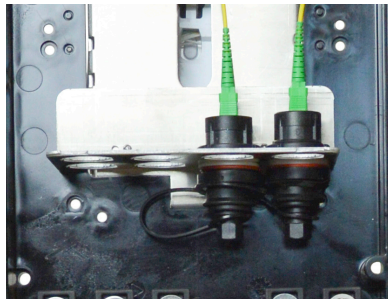
Amphenol Charles Industries' BDO Interconnect Distribution Pedestals for Hardened Fiber Drop Cables (BDO-IXC HD) provide a drop-side "interconnect panel" for supporting drop cables using the Corning brand OptiTap® hardened fiber drop connector. The BDO-IXC HD Pedestal is ideal for fiber-to-the-home (FTTH) network deployments as well as multi-tenant cell site, campus or strip mall environments where the customer requires high-capacity fiber bandwidth for data and video broadband services, wireless backhaul, private networks or data and video broadband services. With a built-in OptiTap-SC® adapter bulkhead, the BDO-IXC HD pedestals facilitate fast and easy provisioning of fiber services to the end customer's equipment. Fiber drops can be turned up, moved or disconnected on an "as needed" basis; giving service providers added flexibility in their efforts to provide broadband voice, data and video services to customers whose bandwidth requirements may change seasonally or for test access purposes.



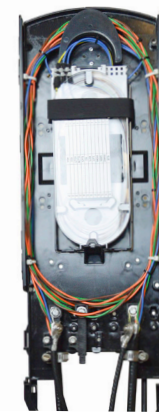
BDO203-E02OPT



BDO204-E02OPT



10" OptiTap-SC
Adapter Bulkhead



10" Backboard
Feed Side



10" Backboard
Drop Side

MARKETS SERVED:

- Telecom / FTTH
- Utility
- Wireless
- Broadband Cable

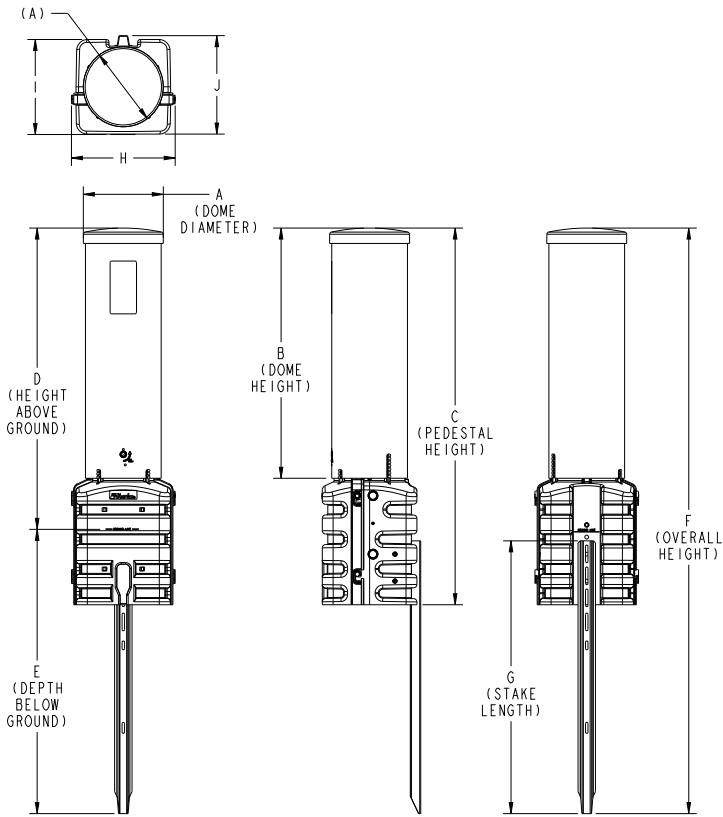
FEATURES

- Non-metallic PVC construction won't rust, corrode, chip or fade. Internal components are protected from floods, fires, and wind-blown dust and debris
- Fiber organizer backboards accommodate all commonly used fiber splice trays with a 4"x9" footprint; 10" diameter pedestal also accepts 4"x12" or 6"x15" trays
- Two-piece expanded-capacity "split" base makes it easy for technicians to place the pedestal over conduit-fed cable bundles, and are an ideal solution for rehabilitating metallic enclosures
- Easily add new bulkhead adapters for new subscriber adds
- Multi-position bond bar with #6 ground lug meets requirements for bonding and grounding of service wires and cable sheaths
- Lift-off dome provides 360° access to internal splicing area
- Dome attaches securely to the base using a self-locking 216-hex head bolt lock
- Vault mount base available

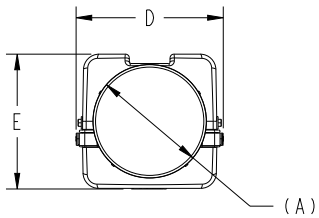
Product Dimension

Series 2 Split Base with Stake Dimensions

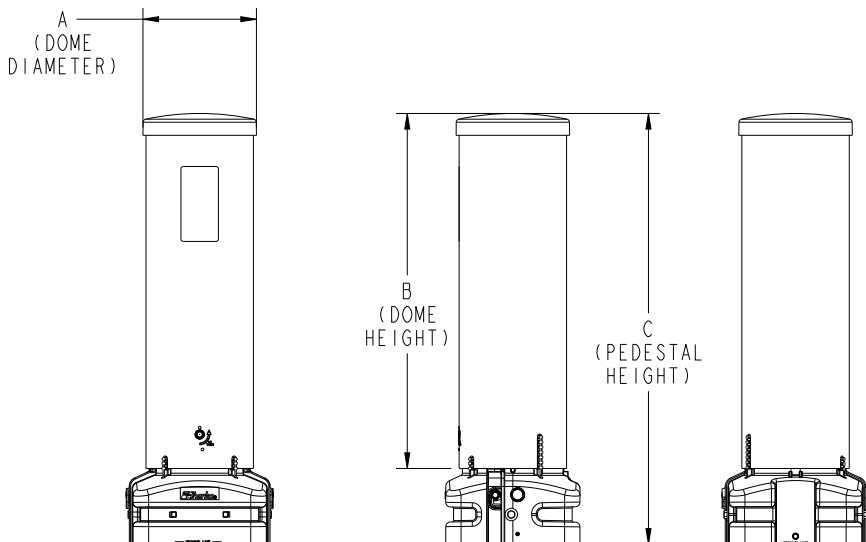
All dimensions are in inches



Size	A	B	C	D	E	F	G	H	I	J
6	7.4	28.7	43.1	34.5	31.3	65.9	31	10.8	9.8	9.9
8	9.1	28.4	42.8	34.2	31.4	65.6	31	11.8	10.8	10.9
10	11.7	30.7	45.6	37	31.4	68.4	31	13.8	12.8	12.9



Size	A	B	C	D	E
6	7.4	28.7	34.7	10.8	9.8
8	9.1	28.4	34.5	11.8	10.8
10	11.7	30.7	37.2	13.8	12.8



Product Specifications

Diameter	6"	8"	10"
Drop Quantity			
Total adapter positions	6	8	8
OptiTap-SC® adapters included*	2	2	2
12 Fiber Ribbon Storage (Opening 12ft±2ft)**	24 Ribbons	36 Ribbons	72 Ribbons
Loose Tube Storage (Opening 12ft±2ft)	8 Tubes	12 Tubes	24 Tubes
Splice Tray Capacity	2 (4"x9")	2 (4"x9")	7 (4"x9") or 5 (6"x15")
12 Fibers per Tray	48	48	84
24 Fibers per Tray	96	96	168
144 FOSC A/B Fiber Ribbon Tray***	0	0	432
PART NUMBERS			
2 OptiTap-SC® adapters, splice tray, & 2 SC/APC pigtails	BDO203-E02OPT	BDO204-E02OPT	BDO205-E02OPT
2 OptiTap-SC® adapters, splice tray, & 2 SC/APC pigtails, vault base	BDO203EV02OPT	BDO204EV02OPT	BDO205EV02OPT

Notes:

- Pedestals ship standard with an accessory kit, including two (2) hose clamps, two (2) bond braids, drop wire channel, drop wire channel plug, and moisture barrier sheet.
 - Maximum splice capacities shown are for cable-to-cable splices. Overall splice capacity is reduced as drop splices are introduced. For drop splicing, Charles recommends using a 12 Fiber Tray with a maximum of 6 drops per tray

* Additional OptiTap-SC adapters are ordered as accessories and easily field installed into bulkhead.

**Ribbon D-clips ordered separately.

***Capacities shown achieved using CommScope® FOSC A/B Ribbon Fiber Tray(s).



Vault mount base configurations, including cover mounting brackets and moisture barrier pad, are available by adding a "V" after designated square base character ("E") of part number (Example: BDO204EV02OPT). Vaults with covers cutout to fit the Charles' pedestal bases are available through Charles and most 3rd party vault manufacturers.

Ordering Specification

Charles Part Number	Description
BDO203-E02OPT	6" fiber pedestal, expanded square base, Greenfield fiber splicing organizer, Spice tray, 6 position Bulkhead bracket with 2 Opti-Tap, 2 SC/APC Pigtails
BDO204-E02OPT	8" fiber pedestal, expanded square base, Greenfield fiber splicing organizer, 8 position Bulkhead bracket with 2 Opti-Tap adapter, 2 SC/APC Pigtails, Spice tray, Bond bar and Hose clamps
BDO205-E02OPT	10" fiber pedestal, expanded square base, Greenfield fiber splicing organizer, 8 position Bulkhead bracket with 2 Opti-Tap adapter, 2 SC/APC Pigtails, Spice tray, Bond bar and Hose clamps
BDO203EV02OPT	6" fiber pedestal, expanded square vault mount base with mounting hardware, moisture pad, Greenfield fiber splicing organizer, Spice tray, 6 position Bulkhead bracket with 2 Opti-Tap, 2 SC/APC Pigtails
BDO204EV02OPT	8" fiber pedestal, expanded square vault mount base with mounting hardware, moisture pad, Greenfield fiber splicing organizer, 8 position Bulkhead bracket with 2 Opti-Tap adapter, 2 SC/APC Pigtails, Spice tray, Bond bar and Hose clamps
BDO205EV02OPT	10" fiber pedestal, expanded square vault mount base with mounting hardware, moisture pad, Greenfield fiber splicing organizer, 8 position Bulkhead bracket with 2 Opti-Tap adapter, 2 SC/APC Pigtails, Spice tray, Bond bar and Hose clamps

Ordering Specification

Pedestal Accessories


97-OPT02ADPT	Kit, 2 OptiTap-SC® adapters, 2 SC/APC-stub pigtails
97-FIBR24TRAY	Charles 12-/24-Fiber Splice Tray, 4"x9"
UMS36-STD	36" Metal Mounting Stake w/hardware
UMS42-STD	42" Metal Mounting Stake w/hardware
UMB102A	Universal Pole Mount Bracket w/hardware
97-RIBNCLIPKIT	Ribbon saddle clip kit (6" and 8" size), 40 ea.
97-RIBNCLIPLG	Ribbon saddle clip kit large (10" size), 40 ea
97-RIBNTUBEKIT	3M® ribbon transportation tube kit, 3 ft., 10 ea
97-RIBNTRAY144	CommScope® FOSC A/B ribbon splice tray (12 ribbons, 144 fibers), 1 each
PS-SABFM03-2A2	Pigtails, SC/APC-stub, 2mm jacket, yellow, 3 meters, 2 pcs.
PS-SUBFM03-2A2	Pigtails, SC/APC-stub, 2mm jacket, yellow, 3 meters, 2 pcs.

Charles Industries, LLC

An Amphenol Company

1450 American Lane, 20th Floor, Schaumburg, IL 60173

 mktserv@charlesindustries.com

 (847) 806-6300

