

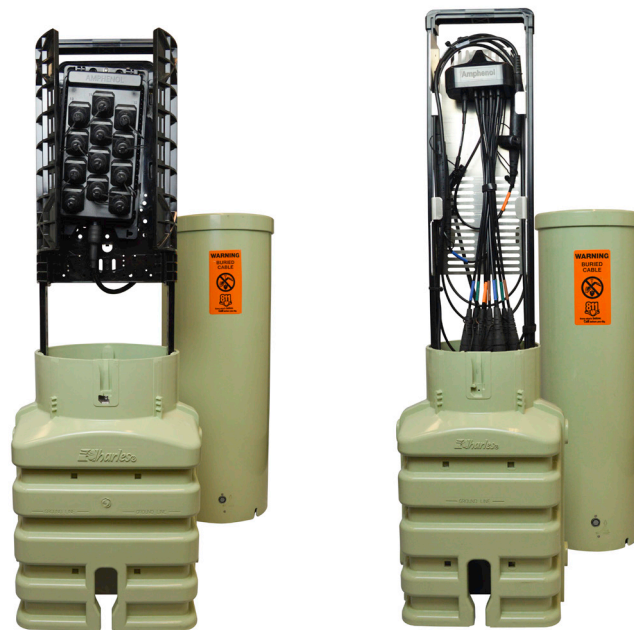
Buried distribution pedestals designed to house and protect sealed fiber terminal blocks

Amphenol Charles' Pedlock BDO-ET Series Fiber Pedestals are designed as an affordable, above-grade alternative to housing and protecting sealed fiber terminal blocks. In FTTP applications, BDO-ET Pedestals offer many advantages over grade level boxes, including easier installation, greater accessibility, and more flexibility in placement.

BDO-ET Pedestals feature a non-metallic construction that offers superior OSP protection against floods, fire, dirt, insects and impact. Specially designed terminal mounting plates accept most major manufacturers' 4, 6, 8 and 12 port sealed fiber terminal blocks, with a version (BDO-ETS) that includes an integrated splice tray holder. An expanded-capacity split base is designed to easily install around conduit-fed cable bundles in new construction. BDO-ET pedestals are an ideal solution for rehabilitation of metallic enclosures.

MARKETS SERVED:

- Telecom / FTTX
- Utility
- Wireless
- Broadband Cable



BDO-ET Pedestal

FEATURES

- BEAD/BABAA compliant product
- Non-metallic PVC construction won't rust, corrode, chip or fade. Internal components are protected from floods, fires, and wind-blown dust and debris
- BDO-ET pedestal comes equipped with a terminal mounting plate to mount Corning®, Commscope®, AFL and other sealed fiber terminal blocks
- BDO-ETS version has a built-in fiber splice tray holder attached to the terminal mounting plate, facilitating loop-through splicing and repair*
- BDO-ETLP version has a low profile design (21" dome height, 8" shorter than standard BDO-ET)
- Two-piece expanded-capacity "split" base makes it easy for technicians to place the pedestal over conduit-fed cable bundles, and are an ideal solution for rehabilitating metallic enclosures
- Lift-off dome provides 360° access to internal splicing area
- Dome attaches securely to the base using a self-locking 216-hex head bolt

Terminal Mounting Plate Options



BDO-ET
• Available in 8" and 10" diameters
• Terminal Mounting Plate



BDO-ETLP
• Available in 6" and 8" diameters
• Low Profile Dome
• Terminal Mounting Plate



BDO-ETS
• Available in 6", 8" and 10" diameters
• Terminal Mounting Plate with Built-In Splice Tray Holder*

*Splice Tray sold separately

BDO-ETS Capacities

BDO 3-ETS
• 24 splices
(1 tray w/24 fibers)
• 6 tube loose tube storage

BDO 4-ETS
• 24 splices
(1 tray w/24 fibers)
• 12 tube loose tube storage

BDO 205-ETS
• 72 splices
(3 trays w/24 fibers)
• 12 tube loose tube storage



All BDO-ET Series fiber pedestals are available in a short, vault mount configuration fitting on most handhole manufacturer's lids. Add a "V" suffix after designated square base character ("E") of part number to include a vault mount base with mounting hardware.

(Example: BDO 4-ETLP becomes BDO 4-EVTLP)

Sealed Fiber Terminal Block Capacity Matrix

	4-Port Terminal Block				6-Port Terminal Block			
	Corning® 8.8x2.85x2.75	Commscope® (Tyco®) 9.4x3.4x2.8	Commscope® (ADC®) 10.8x3.95x2.86	AFL 12.4x4.9x3.0	Corning® 12x4x3	Commscope® (Tyco®) 12x3.4x2.8	Commscope® (ADC®) 16x3.95x2.86	AFL 12.4x4.9x3.0
	Long or Connectorized Feed Cable				Long or Connectorized Feed Cable			
BDO 3-ETLP	1	1	1	1	1	1	0	1
BDO 4-ETLP	2	1	1	1	1	1	0	1
BDO 4-ET	2	1	1	1	1	1	1	1
BDO 205-ET	2	2	2	1	1	2	2	1
	Splice Capable ^{1,2}				Splice Capable ^{1,2}			
BDO 3-ETS	1	1	0	1	1	1	0	1
BDO 4-ETS	1	1	1	1	1	1	1	1
BDO 205-ETS	2	1	1	1	1	1	1	1

	8-Port Terminal Block				12-Port Terminal Block			
	Corning® 12x4x3	Commscope® (Tyco®) 14.6x3.4x2.8	Commscope® (ADC®) 16x3.95x2.86	AFL 12.4x4.9x3.0	Corning® 13x6x2.75	Commscope® (Tyco®) 12x6x3	Commscope® (ADC®) 21.2x3.95x2.86	AFL 15.5x6.19x3.8
	Long or Connectorized Feed Cable				Long or Connectorized Feed Cable			
BDO 3-ETLP	1	0	0	0	0	0	0 ³	0
BDO 4-ETLP	2	0	0	0	1	0	0 ³	0
BDO 4-ET	2	1	1	1	1	0	0 ³	1
BDO 205-ET	2	2	2	1	1	1	0 ³	1
	Splice Capable ^{1,2}				Splice Capable ^{1,2}			
BDO 3-ETS	1	0	0	0	0	0	0 ³	0
BDO 4-ETS	1	1	1	1	0	0	0 ³	0
BDO 205-ETS	1	1	1	1	1	1	0 ³	1

	AMT				Mini-AMT			
	AMT 4-PORT 6.5x13x4	AMT 6-PORT 6.5x13x4	AMT 8-PORT 6.5x13x4	AMT 12-PORT 6.5x13x4	Mini-AMT 4-PORT 4.9x3.5x3.75	Mini-AMT 6-PORT 4.9x3.5x3.75	Mini-AMT 8-PORT 4.9x3.5x3.75	Mini-AMT 12-PORT 4.9x3.5x3.75
	Long or Connectorized Feed Cable				Long or Connectorized Feed Cable			
BDO 3-ETLP	0	0	0	0	0	0	0	0
BDO 4-ETLP	0	0	0	0	0	0	0	0
BDO 4-ET	0	0	0	0	1	1	1	0
BDO 205-ET	1	1	1	1	1	1	1	1
	Splice Capable ^{1,2}				Splice Capable ^{1,2}			
BDO 3-ETS	0	0	0	0	0	0	0	0
BDO 4-ETS	0	0	0	0	1	1	1	1
BDO 205-ETS	1	1	1	1	1	1	1	1

Notes:

¹Splice trays are ordered separately.

²BDO 3-ETS, BDO 4-ETS use 4"x9" unhinged splice trays. BDO205-ETS use 4"x6" or 4"x9" hinged trays.

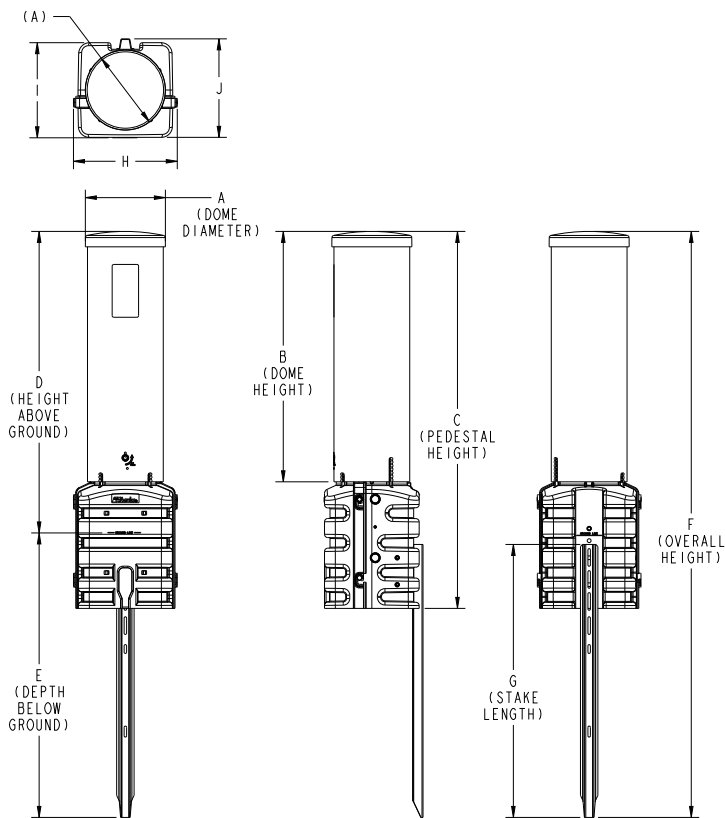
BDO205-ETSB (straight tray bracket) use 4"x9" unhinged splice trays.

³ADC 12-port block (2 columns x 6 connectors) is too long for standard pedestal. Special order tall pedestal is required.

Product Outline Dimensions

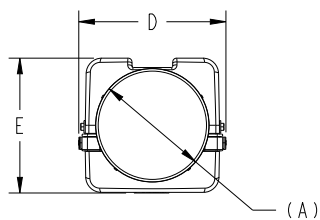
Series 2 Split Base with Stake Dimensions

All dimensions are in inches

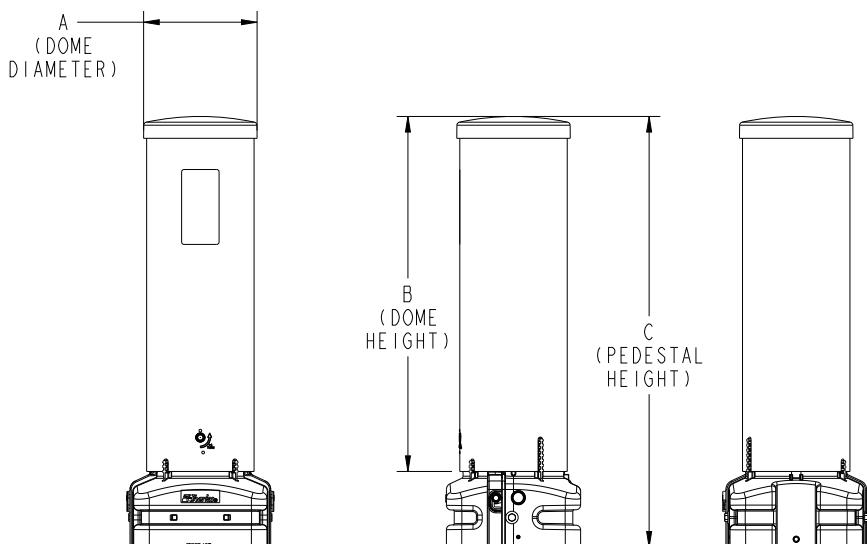


Size	A	B	C	D	E	F	G (31 in. stake)	H	I	J
6	7.4	28.7	43.1	34.5	31.3	65.9	31	10.8	9.8	9.9
8	9.1	28.4	42.8	34.2	31.4	65.6	31	11.8	10.8	10.9
10	11.7	28.5	43.4	34.8	31.4	66.2	31	13.8	12.8	12.9

LOW PROFILE PEDESTAL										
Size	A	B	C	D	E	F	G (31 in. stake)	H	I	J
6	7.4	20.45	34.85	26.25	31.3	57.65	31	10.8	9.8	9.9
8	9.1	21.15	35.55	26.95	31.4	58.35	31	11.8	10.8	10.9



Size	A	B	C	D	E
6	7.4	28.7	34.7	10.8	9.8
8	9.1	28.4	34.5	11.8	10.8
10	11.7	28.45	34.95	13.8	12.8



LOW PROFILE PEDESTAL					
Size	A	B	C	D	E
6	7.4	28.7	34.7	10.8	9.8
8	9.1	28.4	34.5	11.8	10.8

Ordering Specification



Charles Part Number	Description
BDO 4-ET	8" pedestal, expanded-capacity split base, terminal mounting bracket, drop slack storage
BDO205-ET	10" pedestal, expanded-capacity split base, non-metallic terminal mounting bracket, drop slack storage
BDO 3-ETS	6" pedestal, expanded-capacity split base, terminal mounting bracket, splice tray holder*, bond bar
BDO 4-ETS	8" pedestal, expanded-capacity split base, terminal mounting bracket, splice tray holder*, bond bar
BDO205-ETS	10" pedestal, expanded-capacity split base, non-metallic terminal mounting bracket, drop slack storage, 3-position hinged splice tray holder**, bond bar
BDO 3-ETLP	6" low profile pedestal, expanded-capacity split base, terminal mounting bracket
BDO 4-ETLP	8" low profile pedestal, expanded-capacity split base, terminal mounting bracket
BDO 4-EVT	8" pedestal, expanded square vault mount base with mounting hardware, moisture pad, terminal mounting bracket, drop slack storage
BDO205-EVT	10" pedestal, expanded square vault mount base with mounting hardware, moisture pad, non-metallic terminal mounting bracket, drop slack storage
BDO 3-EVTS	6" pedestal, expanded square vault mount base with mounting hardware, moisture pad, terminal mounting bracket, splice tray holder*, bond bar
BDO 4-EVTS	8" pedestal, expanded square vault mount base with mounting hardware, moisture pad, terminal mounting bracket, splice tray holder*, bond bar
BDO205-EVTS	10" pedestal, expanded square vault mount base with mounting hardware, moisture pad, non-metallic terminal mounting bracket, drop slack storage, 3-position hinged splice tray holder**, bond bar
BDO 3-EVTLP	6" low profile pedestal, expanded square vault mount base with mounting hardware, moisture pad, terminal mounting bracket
BDO 4-EVTLP	8" low profile pedestal, expanded square vault mount base with mounting hardware, moisture pad, terminal mounting bracket

Notes:

*Uses splice tray 97-FIBR24TRAY

**Uses splice trays 97-SMHTRAY or 97-FIBR24HTRAY

Pedestal Accessories

UMS36-STD	36" Metal Mounting Stake w/hardware
UMS42-STD	42" Metal Mounting Stake w/hardware
UMB102A	Universal Pole Mount Bracket w/hardware
97-FIBR24TRAY	4"x9" Charles Fiber Splice Tray, with dust cover, identification label and 6 cable ties
97-FIBR24HTRAY	4"x9" Charles Fiber Splice Tray, hinged, with dust cover, identification label and 6 cable ties
97-SMHTRAY	4"x6" Charles Fiber Splice Tray, hinged, with dust cover, identification label and 6 cable ties
97-RIBNCLIPKIT	Ribbon saddle clip kit (6" and 8" size), 40 ea.
97-TSBDO2ETS	Tray support for use with Charles standard (97-FIBR24TRAY) or 3rd party splice trays




Looking for other BABA compliant products for BEAD funded projects?
Please inquire with us for more information.

Charles Industries, LLC

An Amphenol Company

1450 American Lane, 20th Floor, Schaumburg, IL 60173

 mktserv@charlesindustries.com

 (847) 806-6300

