

## Brownfield Buried Distribution Pedestals designed for overlay fiber networks using hardened terminal blocks



Amphenol Charles' BDO Series Brownfield Fiber Distribution Pedestals for fiber terminal block, copper terminal block with copper splice storage (BDO CTFT) provide a comprehensive solution for overlaying a hardened fiber plant without increasing the number of installed pedestals. The BDO CTFT pedestal is ideal for fiber-to-the-home (FTTH) network deployments as well as multi-tenant cell site, campus or strip mall environments where copper plant already exists and the customers require high-capacity fiber bandwidth for data and video broadband services, wireless backhaul, private networks or data and video broadband services.

The BDO CTFT incorporates a unique 3-sided backboard design; sides 1 and 2 provide space for attaching the existing copper terminal block and storing the associated copper splices and side 3 provides a mounting position for the overlay fiber terminal block. Two pedestal sizes, 10" and 12" are available to support variously-sized terminal blocks as well as copper splice storage needs.

### MARKETS SERVED:

- Telecom / FTTH
- Utility
- Wireless
- Broadband Cable



CTFT Pedestal

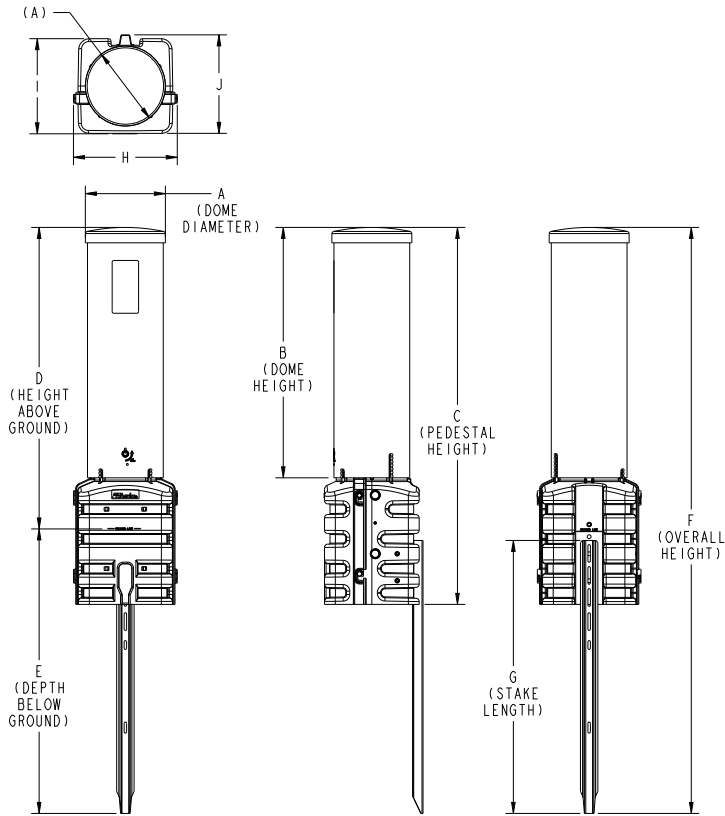
### FEATURES

- BEAD/BABAA compliant product
- Non-metallic PVC construction won't rust, corrode, chip or fade. Internal components are protected from floods, fires, and wind-blown dust and debris
- Two pedestal sizes to fit various terminal blocks and associated copper splices
- Two-piece expanded-capacity "split" base makes it easy for technicians to place the pedestal over current copper plant and new conduits for fiber cables
- Multi-position bond plate with #6 ground lug meets requirements for bonding and grounding of copper and fiber service wires and cable sheaths
- Lift-off dome provides 360° access to internal splicing area
- Dome attaches securely to the base using a self-locking 216-hex head bolt lock
- Vault mount base available

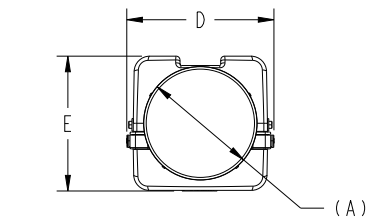
# Product Outline Dimensions

## CTFT Series 2 Split Base with Stake Dimensions

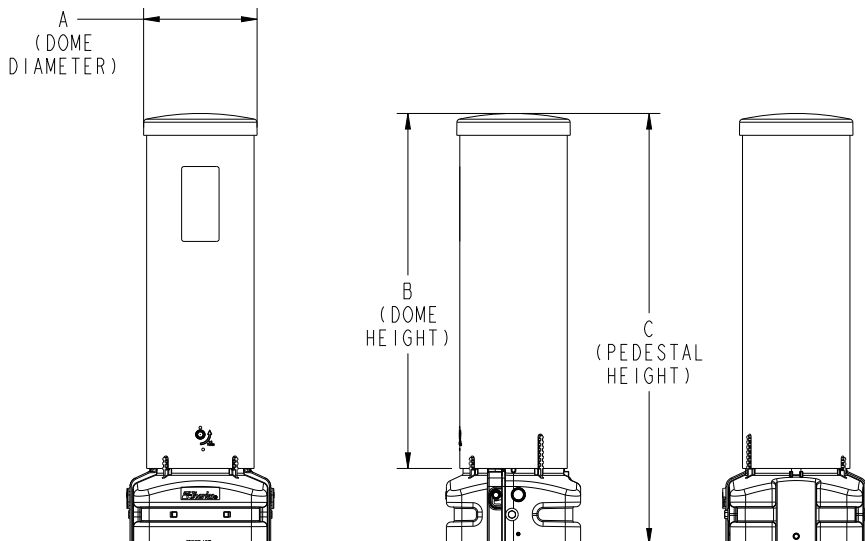
All dimensions are in inches



Size	A	B	C	D	E	F	G (31 in. stake)	H	I	J
10	11.7	28.45	43.35	34.75	31.4	66.15	31	13.8	12.8	12.9
12	13.4	28.8	43.7	35.1	31.3	66.4	31	16.1	15.1	15.1



Size	A	B	C	D	E
10	11.7	28.45	34.95	13.8	12.8
12	13.6	28.8	35.2	16.1	15.1



# Product Specification



Diameter	10"	12"
Copper Terminal Block Capacity	1	1
Copper Connector Storage*	100 pair (straight)	600 pair (straight)
Fiber Terminal Block	2, 4, or 8 port	12 port
<b>PART NUMBERS</b>		
In-Ground Base	CP210-CTFT	CP212-CTFT
Vault Base	CP210-VCTFT	CP212-VCTFT

**Notes:**

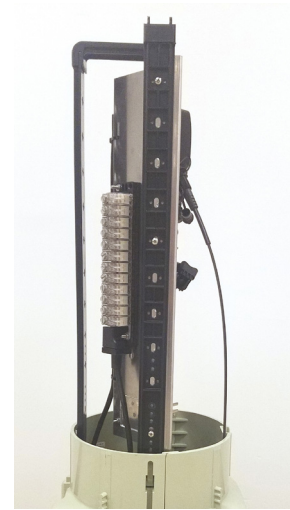
- Pedestals ship standard with an accessory kit, including two (2) hose clamps, two (2) bond braids, drop wire channel, drop wire channel plug, and moisture barrier sheet.
- All copper and fiber terminal blocks are customer supplied / purchased separately.
- \* Quantities will vary depending upon copper cable lengths and management.

# Ordering Specification

<u>Charles Part Number</u>	<u>Description</u>
CP210-CTFT	10" fiber pedestal, expanded square base, CTFT Blackboard
CP212-CTFT	12" fiber pedestal, expanded square base, CTFT Blackboard
CP210-VCTFT	10" fiber pedestal, expanded square vault mount base with mounting hardware, moisture pad, CTFT Blackboard
CP212-VCTFT	12" fiber pedestal, expanded square vault mount base with mounting hardware, moisture pad, CTFT Blackboard

**Pedestal Accessories**

UMS36-STD	36" Metal Mounting Stake w/hardware
UMS42-STD	42" Metal Mounting Stake w/hardware
UMB102A	Universal Pole Mount Bracket w/hardware



Profile View of BDO CTFT 3-Sided Backboard



For vault mount base option (includes cover mounting hardware and moisture barrier), add a "V" after the dash of the part number (Example: CP210-CTFT becomes CP210-VCTFT)



**Looking for other BABA compliant products for BEAD funded projects?**  
Please inquire with us for more information.

**Charles Industries, LLC**  
An Amphenol Company  
1450 American Lane, 20th Floor, Schaumburg, IL 60173

[mktserv@charlesindustries.com](mailto:mktserv@charlesindustries.com)

(847) 806-6300

