

Pedlock® Vault Pedestal Series

Fiber Distribution Pedestals designed to mount to buried vaults for co-located fiber splicing and slack storage.

In FTTx installations, it is often desirable to have slack storage at a distribution/terminal point. The Pedlock Vault Pedestal Series provides an excellent solution to this application. Pedlock Vault Pedestals attach to a variety of manufacturers' buried vault lids using supplied hardware, creating a convenient above-grade access point to the fiber splice and management.

Pedlock non-metallic pedestals provide outstanding environmental protection of fiber splices. A locking dome creates a patented "bell-jar" effect that protects the insides of the pedestal, including the splicing backboard, from floods.

Pedlock Vault Pedestals are available in both CFDP (closed architecture, GR-771 compliant) and BDO (open architecture) versions. A low profile BDO version is also available for housing pre-connectorized sealed fiber terminals.



Features

- Pedestals are constructed of non-metallic PVC to resist rust, corrosion, and impact. Internal equipment is protected from floods, fires, and wind-blown dust and debris
- Splicing brackets/backplanes attach to mounting rails on the pedestal base. Push-in finger tabs allow mounting rails to be easily removed
- Pedestal dome features alignment guides and a 216 bolt and cup washer lock
- All required hardware to mount the pedestal to the vault lid is included: two galvanized steel L-brackets, nuts, bolts and washers
- Foam vapor barrier is included to prevent condensation from penetrating the pedestal



CFDP Sealed Backplane

- Closed architecture "dome within a dome" design provides enhanced GR-771 compliant environmental protection
- Fusion or mechanical splicing of loose buffer tube or central core tube
- Ribbon or stranded fiber
- 6" and 8" diameters available



BDO Greenfield Bracket

- Open architecture provides quick access to fiber splice trays
- Fusion splicing of loose buffer tube
- Ribbon or stranded fiber
- 6", 8" and 10" diameters available



BDO Terminal Block Bracket

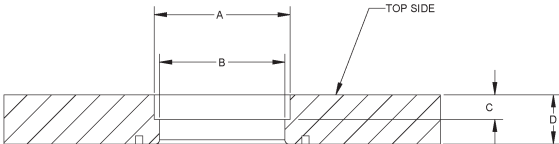
- Open architecture with an offset metal bracket that allows easy mounting of pre-connectorized sealed fiber terminals
- Low-profile dome
- 6" and 8" diameters available

Vault Lid Requirements

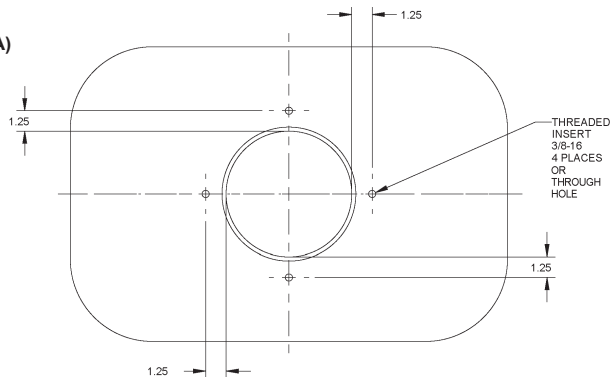
Pedlock Vault Pedestals are compatible with many buried vault manufacturers' products, including Carson, Hubble Quazite, New Basis, Tunnel Mill, Armorcast, and others.

Recommended Vault Lid Design Parameters

Pedestal Diameter	Lid Thickness (D)	Countersink Depth (C)	Bottomside Diameter (B)	Topside Diameter (A)
6"	2"	0.5" to 1.0"	6.18"	6.83"
8"	2"	0.5" to 1.0"	7.68"	8.35"
10"	2"	0.5" to 1.0"	10.25"	11.02"
6"	3"	1.0" to 1.5"	6.18"	6.83"
8"	3"	1.0" to 1.5"	7.68"	8.35"
10"	3"	1.0" to 1.5"	10.25"	11.02"



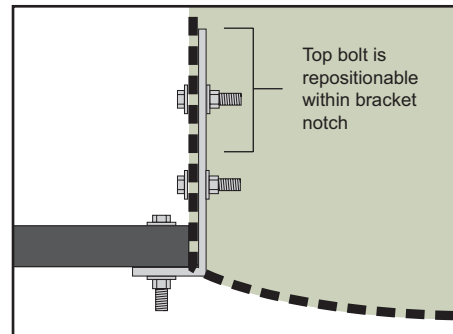
Vault Lid: Side View with Dimensions



Vault Lid: Bottom View with Dimensions

Mounting a Pedlock Vault Pedestal to a Vault Lid

- Two L-brackets are included per pedestal for mounting the pedestal base to the vault lid
- Bracket is placed on the inside of the pedestal base and on the inner side of the vault dome
- Placement requires the drilling of holes
- Use supplied hardware to secure the base to the mounting brackets. Hardware includes: 2 Universal "L" brackets, 6 hex bolts (3/8 - 16 x 1"), 2 hex bolts (3/8 - 16 x 4"), 6 lock washers, 12 flat washers, and 6 nuts (3/8 - 16)



Ordering Information

Part Number	Product Description
CFDP Sealed Backplanes	
CFDP206-OPSV	6" Vault-Mount Pedestal with CFDP Sealed Backplane, inner dome, mounting hardware and moisture barrier
CFDP208-OPSV	8" Vault-Mount Pedestal with CFDP Sealed Backplane, inner dome, mounting hardware and moisture barrier
BDO Greenfield and Brownfield Brackets	
BDO 3-OGV	6" Vault-Mount Pedestal with BDO Greenfield Bracket, mounting hardware and moisture barrier
BDO 4-OGV	8" Vault-Mount Pedestal with BDO Greenfield Bracket, mounting hardware and moisture barrier
BDO 5-OGV	10" Vault-Mount Pedestal with BDO Greenfield Bracket, mounting hardware and moisture barrier
BDO 5-OBV	10" Vault-Mount Pedestal with BDO Brownfield Bracket, mounting hardware and moisture barrier
BDO Terminal Block Brackets	
BDO 3-OTLPV	6" Vault-Mount Pedestal with BDO Terminal Block Bracket, mounting hardware and moisture barrier
BDO 4-OTLPV	8" Vault-Mount Pedestal with BDO Terminal Block Bracket, mounting hardware and moisture barrier

With Charles, You Can Depend On:

- Field-proven and unequaled 24-hour technical support
- Individualized applications consultation
- Training courses available

Visit our website at <http://www.charlesindustries.com>

Charles Industries, Ltd.
Telecommunications Group
5600 Apollo Drive
Rolling Meadows, IL 60008 USA

Voice: (847) 806-6300
FAX: (847) 806-6231
E-mail: mktsterv@charlesindustries.com

