

# Charles Integrated Composite Pad (CPAD™)

## with 30" x 48" TRUE™ Split Cover Below Grade Enclosure



The Charles Integrated CPAD with 30"x48" TRUE split cover is an all-in-one solution designed for mounting Commscope or Corning Primary Flexibility Points (PFP) with room below the pad and cover for sealed fiber splice cases and cable slack storage. The advanced composite material construction of the enclosure is lightweight for increased safety and ease of placement, while meeting Tier 8 (8,000 lb. vertical design load / 12,000 lb. test load) or Tier 15 (15,000 lb. vertical design load / 22,000 lb. test load) Load Rating specifications for underground enclosure integrity.

This integrated solution helps to significantly reduce the deployment time and associated costs of placing PFP and other remote cabinets in the outside plant. Deployments can be completed in as little as one day compared to the multiple days required when using traditional methods (concrete pad and separate below grade enclosure).

Technician-friendly features include 4.5" conduit knock-outs, ground bars, cable racks, 3/4" hex-head security bolts, and lifting points. A break-away top cap design facilitates recovery and restoration after an accidental impact from a vehicle. A replacement top cap designed to bolt in place with the ability to slide working fiber cables through it effectively turns catastrophic service interruptions into quick replacement jobs.

- Dimensions: 53"H x 53"W x 36"D, split lid cover of 30" x 48"
- Weight: 290 lbs. Tier 8 / 312 lbs. Tier 15 (enclosure and split lid cover)
- Cover Weight: 84 lbs. (42 lbs. x2) Tier 8 / 92 lbs. (46 lbs. x2) Tier 15
- Cabinet pullover force exceeds 150 MPH wind force per Telecordia GR-487
- Meets ANSI/SCTE-77 specifications for flammability, UV exposure, water absorption, impact resistance and chemical resistance
- Meets Telecordia GR-902 (chemical resistance)



ANSI/SCTE Rating	Charles Part #	Item Description
TIER 8	CPAD-BH3048TE86	53"x53"x36" Composite Pad with 30"x48" Cover for CommScope 864 Hub w/ 4 rack rails and ground bar
TIER 15	TPAD-BH3048TE86	
TIER 8	CPAD-BH3048TE43	53"x53"x36" Composite Pad with 30"x48" Cover for CommScope 288/432 Hub w/ 4 rack rails and ground bar
TIER 15	TPAD-BH3048TE43	
TIER 8	CPAD-BH3048CNGI	53"x53"x36" Composite Pad with 30"x48" Cover for Corning 576/864 Hub w/ 4 rack rails and ground bar
TIER 15	TPAD-BH3048CNGI	
TIER 8	CPAD-BH3048CNGS	53"x53"x36" Composite Pad with 30"x48" Cover for Corning 288/432 Hub w/ 4 rack rails and ground bar
TIER 15	TPAD-BH3048CNGS	

For additional product information, please visit [www.charlesindustries.com](http://www.charlesindustries.com)

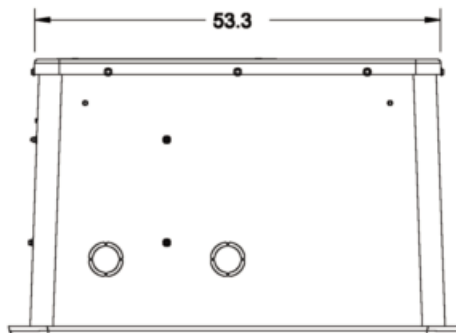
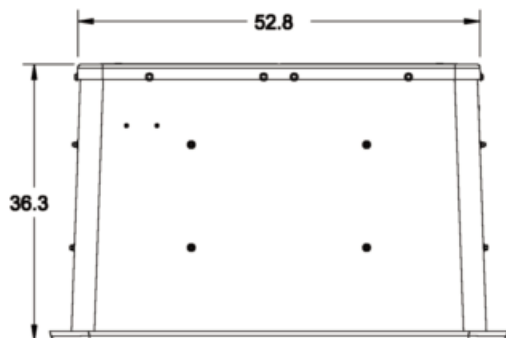
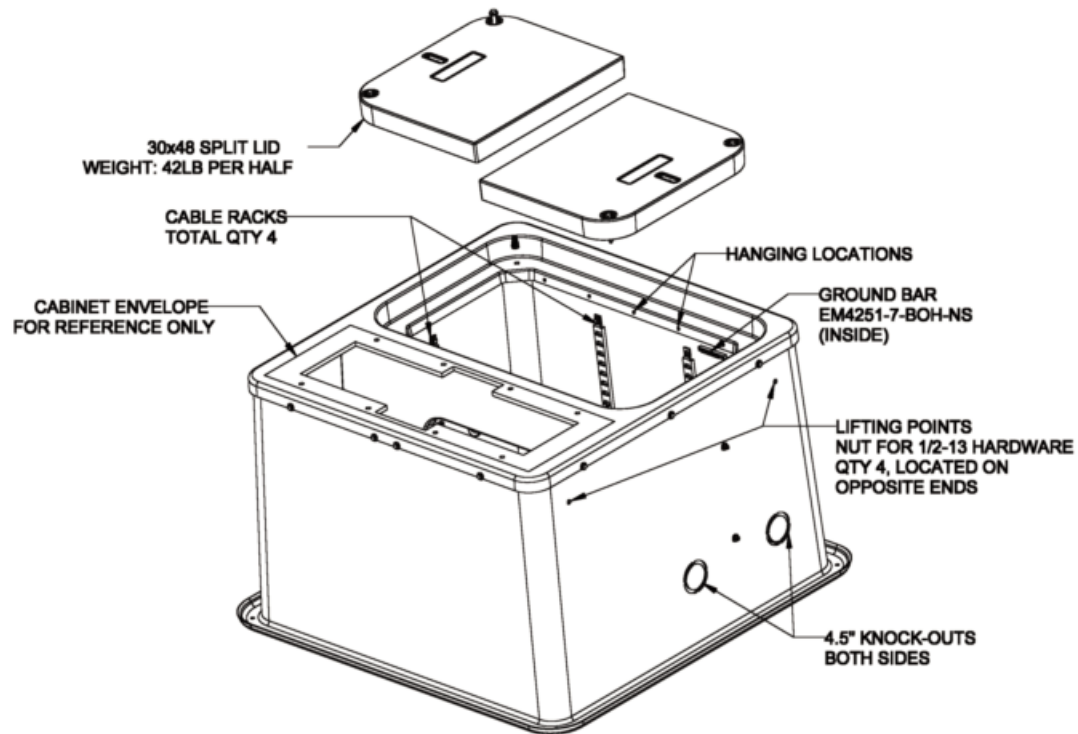
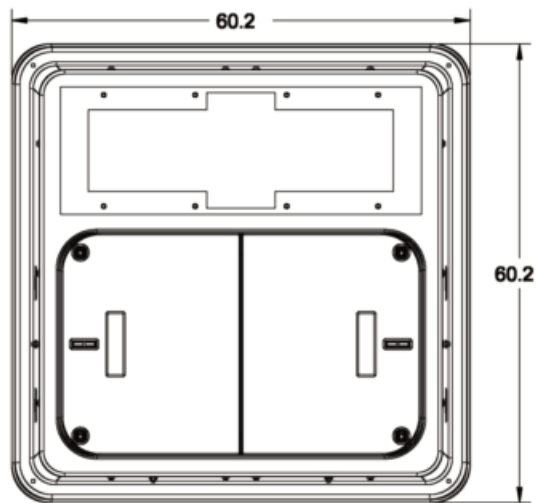
OG-OSP061-B18

Page 1 of 5

# Charles Integrated Composite Pad (CPAD™)

with 30" x 48" TRUE™ Split Cover Below Grade Enclosure

CPAD-BH3048TE86 (Tier 8)  
TPAD-BH3048TE86 (Tier 15)



All measurements in inches.

MADE IN THE  
**USA**

OG-OSP061-B18

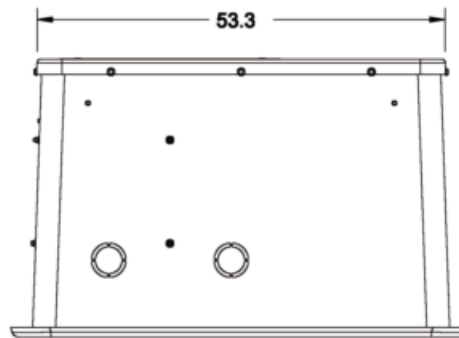
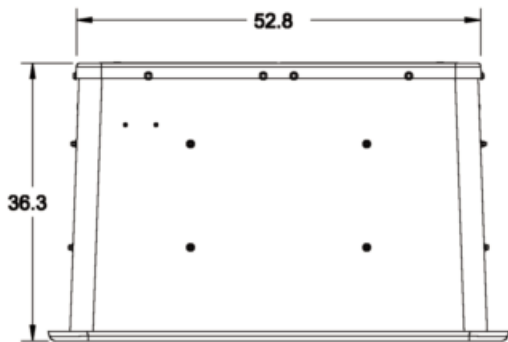
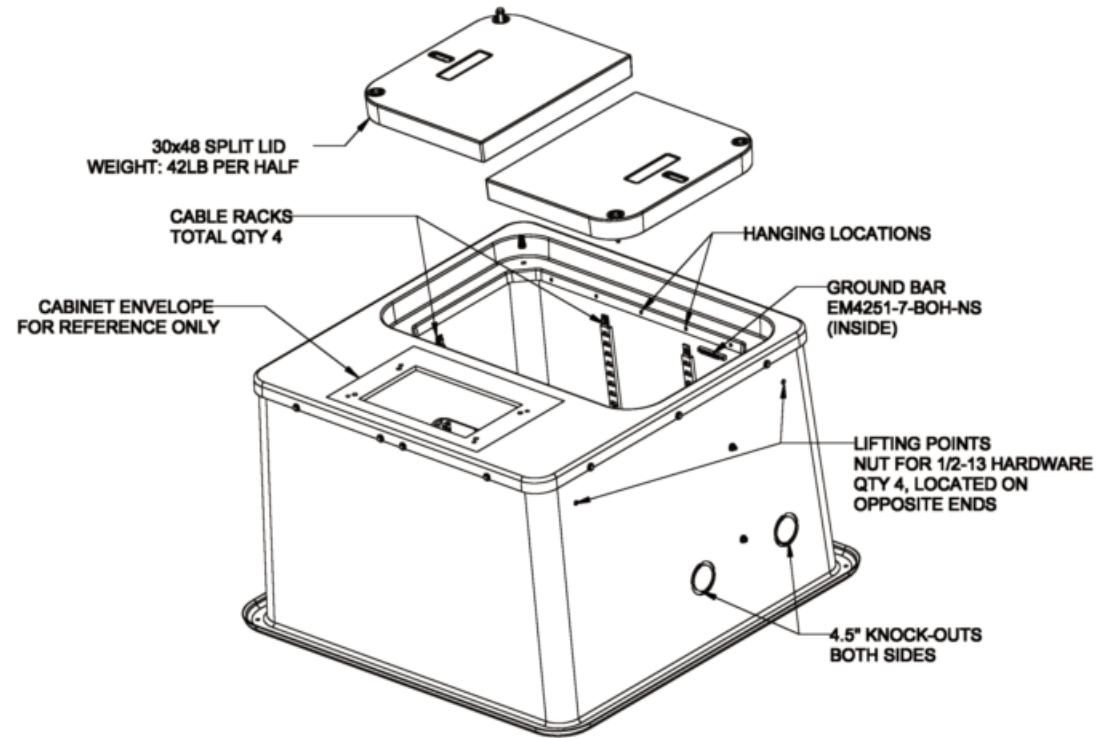
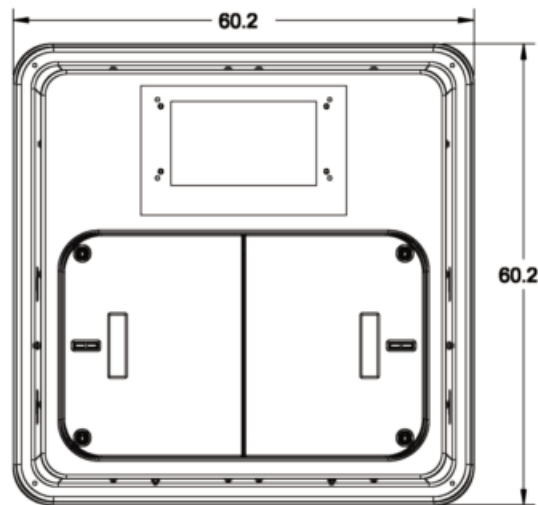
Page 2 of 5

# Charles Integrated Composite Pad (CPAD™)

with 30" x 48" TRUE™ Split Cover Below Grade Enclosure

CPAD-BH3048TE43 (Tier 8)

TPAD-BH3048TE43 (Tier 15)



All measurements in inches.

MADE IN THE  
**USA**

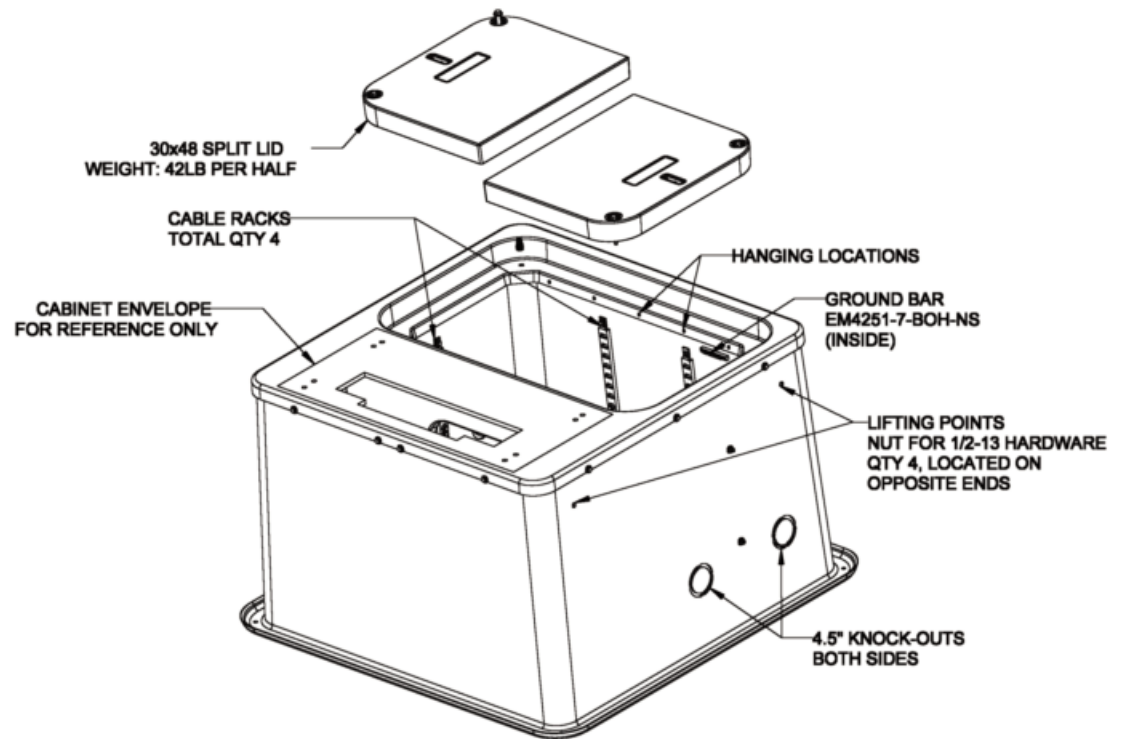
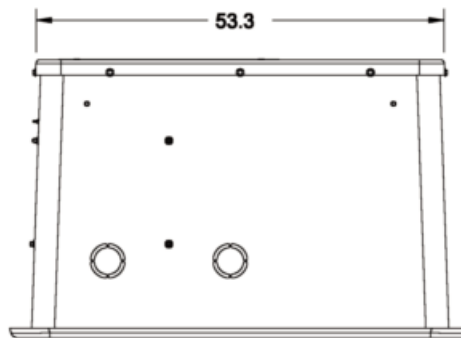
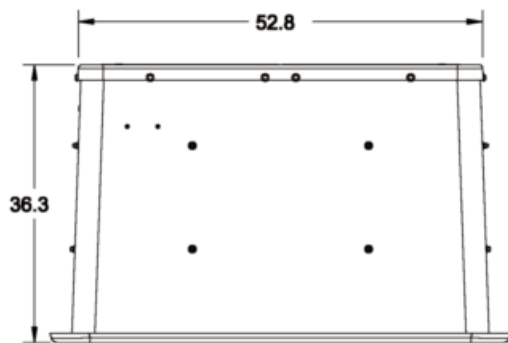
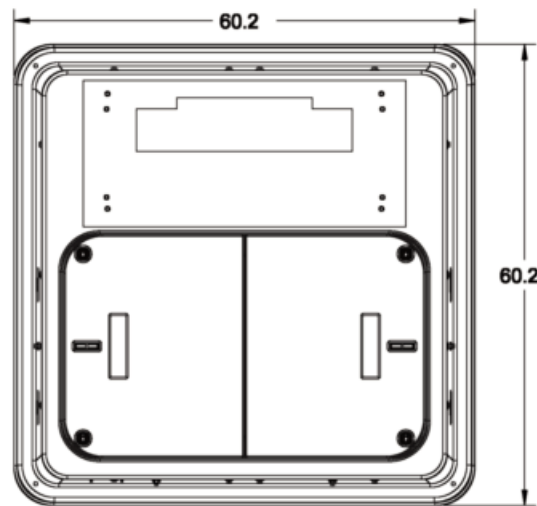
OG-OSP061-B18

Page 3 of 5

# Charles Integrated Composite Pad (CPAD™)

with 30" x 48" TRUE™ Split Cover Below Grade Enclosure

CPAD-BH3048CNGL (Tier 8)  
TPAD-BH3048CNGL (Tier 15)



All measurements in inches.

MADE IN THE  
**USA**

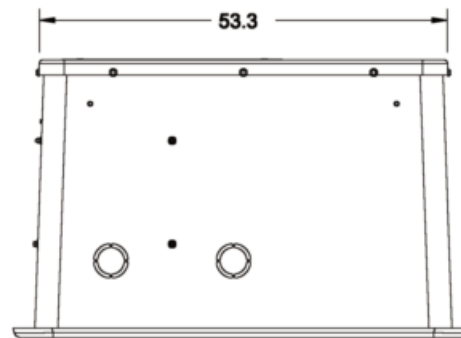
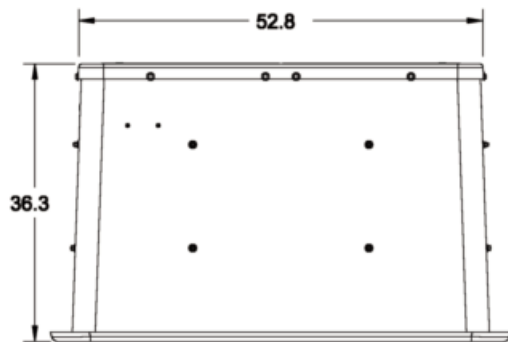
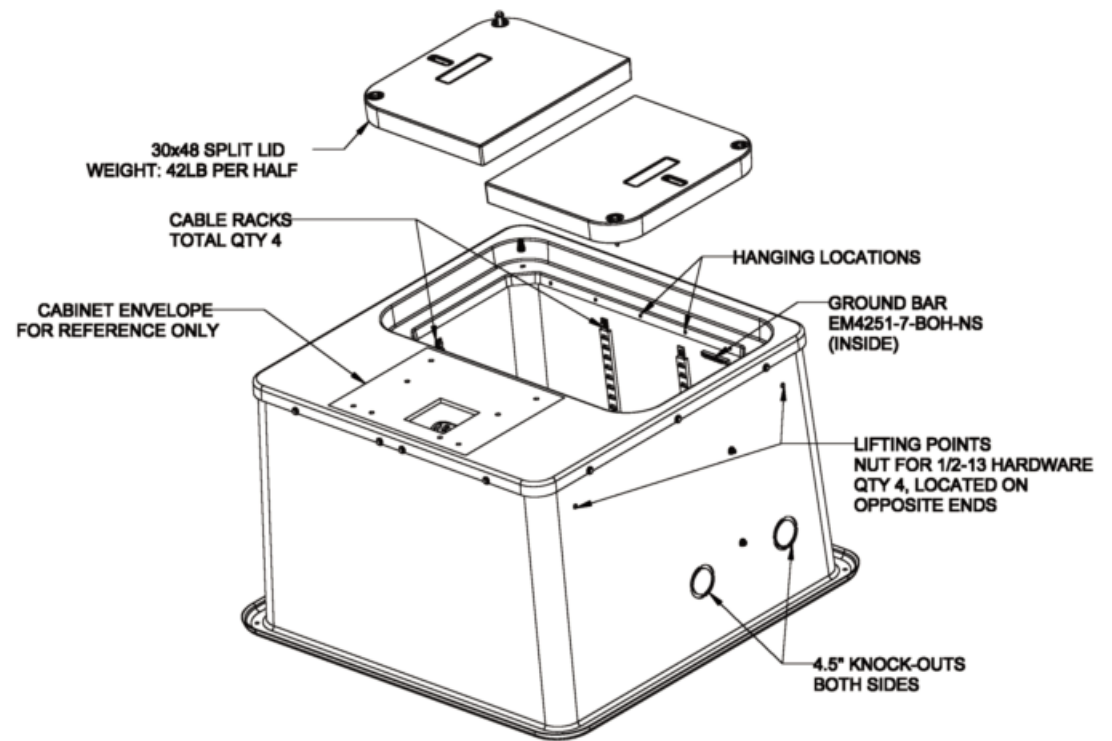
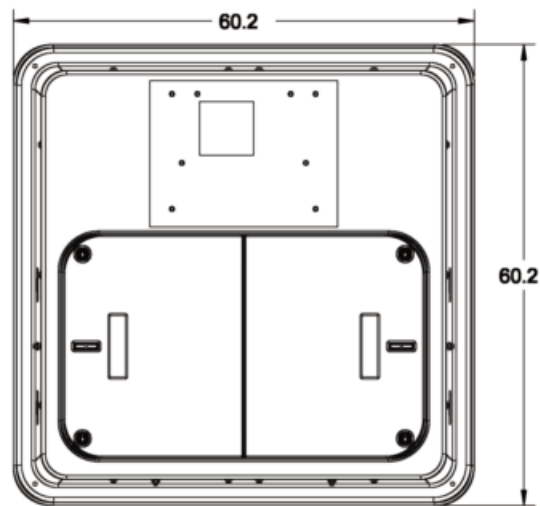
OG-OSP061-B18

Page 4 of 5

# Charles Integrated Composite Pad (CPAD™)

with 30" x 48" TRUE™ Split Cover Below Grade Enclosure

CPAD-BH3048CNGS (Tier 8)  
TPAD-BH3048CNGS (Tier 15)



All measurements in inches.

MADE IN THE  
**USA**

OG-OSP061-B18

Page 5 of 5