

7000 Series Charles Multi-Purpose Housing (CMPH)

Durable, non-metallic closure for copper and fiber access points

The CMPH is a versatile OSP closure designed for both new provisioning installations as well as rehabilitation of existing access points housed in metallic enclosures. The CMPH's superior structural strength, outstanding environmental protection and ease of installation combine to create a long-life housing that reduces operational expenses.

A two-piece assembly features a lift-off dome and corrugated channel base. The lift-off dome allows 360° access to internal working areas and includes self-latching locks with secondary bolt locks on both left and right side panels. The dome provides "bell jar" flood protection, eliminates intrusion of wind-blown rain and dust, and prevents unauthorized entry. The base provides ample room for entry of multiple large cables, including conduit. A spacious bottom entry allows technicians to easily slide the base over existing large cable rehabilitation applications.



Internally, the CMPH features a sturdy metal bracket with craft-friendly repositionable splice bars, a cable splice support rail, and a 6-point bonding/grounding bar. The spacious internal working area accommodates copper splices of 1,800 to 3,600 pairs or passive fiber optic equipment (interconnect and splitter). The CMPH is an exceptional protection solution for copper/fiber co-locations.



Product Features

- Structurally rugged, non-metallic outer housing construction offers dent resistance, corrosion protection, electric shock safety and positive alignment in opening and closing.
- A corrugated channel base design provides secure footing in all in-plant installations, allows installation with or without the use of mounting stakes, and prevents frost heave.
- In rehabilitation installations, existing stakes can be utilized for placement, eliminating the potentially hazardous operation of re-driving stakes into unknown buried copper and fiber feeds.
- The one-piece dome locks securely onto the base with side self-latches and bolt locks, creating a "bell-jar" effect that protects internal components in flood-prone areas.
- The lift-off dome provides full 360° access to internal splicing area. A sturdy metallic bracket with two repositionable splice bars facilitates management of large splice bundles.
- A cable support rail with attached aluminum 6-point bond bar simplifies grounding and splicing activities.
- Flame retardant and non-flame retardant models are offered for varying requirements of urban and rural applications, providing cost savings in many installations.

Product Specifications

PATENT PENDING

Dimensions:

Overall (dome on): 48"H x 27"W x 14.5"D
Above ground: 39"H x 27"W x 14.5"D
Below ground: 9"H x 27"W x 14.5"D

Note: Bottom-most rib of base extends 1.25" in each direction, increasing width to 29.5", and depth to 17".

Weight:

Overall: 51.5 lbs.
Dome: 23 lbs.
Base & Bracket: 28.5 lbs.

Lock Type:

216-tool with self-latches

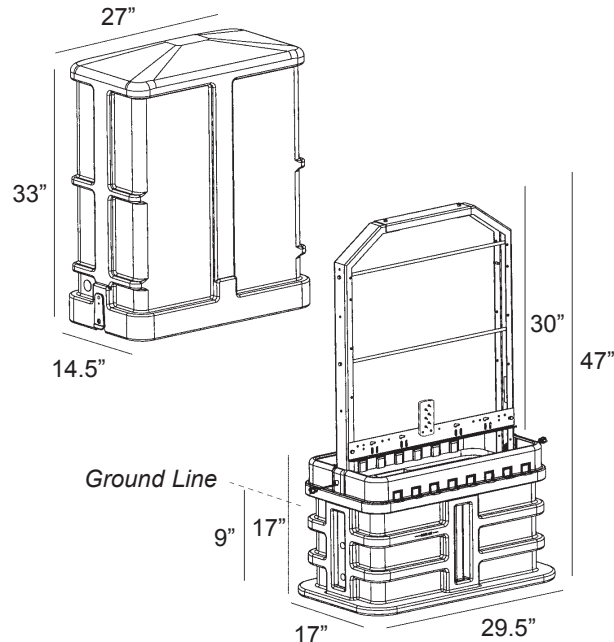
Material

Composition: Polyethylene

Compliance:

GR-13-CORE*

*Non-Flame Retardant models (N) are GR-13-CORE compliant excluding brush fire and bullet test requirement.



Ordering Information

Charles Part # Description

Flame Retardant Models:

CMPH-7500F CMPH without mounting stakes
CMPH-7510F CMPH with two 30" universal mounting stakes
CMPH-7520F CMPH with two 36" universal mounting stakes
CMPH-7530F CMPH with two 42" universal mounting stakes

Non-Flame Retardant Models:

CMPH-7500N CMPH without mounting stakes
CMPH-7510N CMPH with two 30" universal mounting stakes
CMPH-7520N CMPH with two 36" universal mounting stakes
CMPH-7530N CMPH with two 42" universal mounting stakes

Accessories:

CMPH-BOND10 6-Point Bond Bar (package of 10)
CMPH-SPBAR10 Splice Bar (package of 10)

Note: All models include two splice bars, one cable support rail and one 6-point bond bar



CUSTOMER SATISFACTION
CONTINUOUS IMPROVEMENT

Dependable Solutions. Superior Support.


- Field-proven and unequaled 24-hour technical support
- Individualized application consultation
- ISO 9000/TL 9000 registered

Visit our website at <http://www.charlesindustries.com>

Charles Industries, Ltd.
Telecommunications Group
5600 Apollo Drive
Rolling Meadows, IL 60008 USA

Voice: (847) 806-6300
FAX: (847) 806-6231
E-mail: mktsterv@charlesindustries.com



 is a registered trademark of Charles Industries, Ltd.

D-OSP096-C04