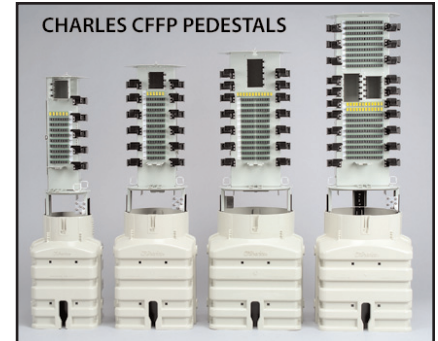
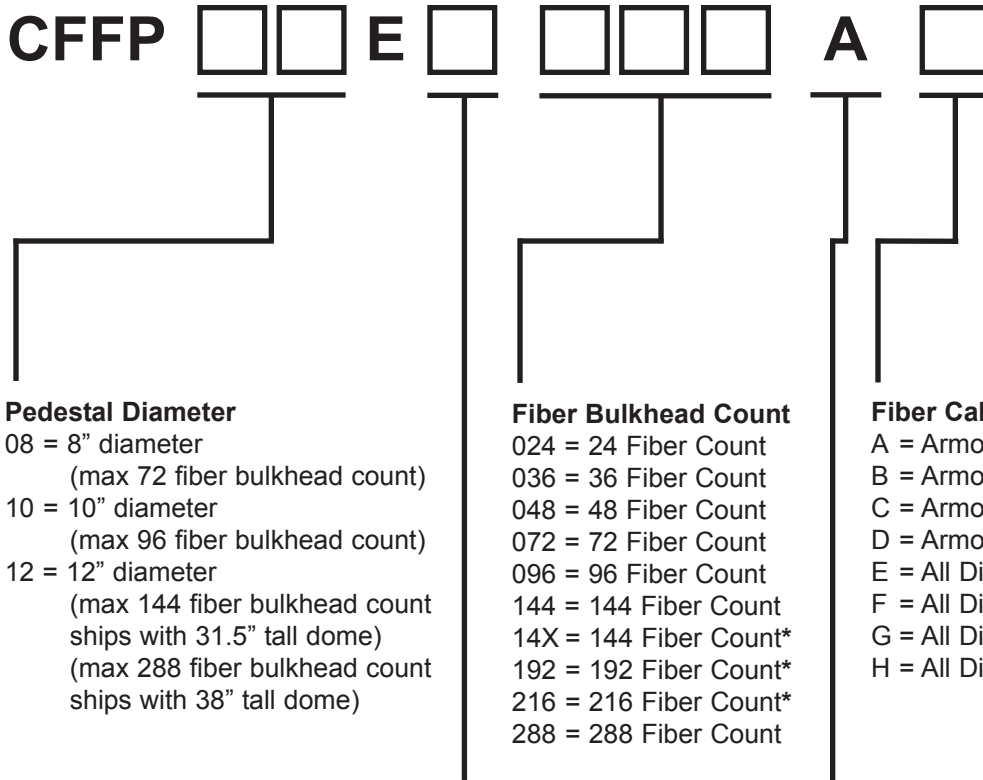


Charles Fiber Flexibility Pedestals (CFFP) Ordering Guide



Pedestal Diameter

- 08 = 8" diameter
(max 72 fiber bulkhead count)
- 10 = 10" diameter
(max 96 fiber bulkhead count)
- 12 = 12" diameter
(max 144 fiber bulkhead count ships with 31.5" tall dome)
(max 288 fiber bulkhead count ships with 38" tall dome)

Fiber Bulkhead Count

- 024 = 24 Fiber Count
- 036 = 36 Fiber Count
- 048 = 48 Fiber Count
- 072 = 72 Fiber Count
- 096 = 96 Fiber Count
- 144 = 144 Fiber Count
- 14X = 144 Fiber Count*
- 192 = 192 Fiber Count*
- 216 = 216 Fiber Count*
- 288 = 288 Fiber Count

Fiber Cable Type & Stub Length

- A = Armored Loose Tube Cable w/50' Stub
- B = Armored Loose Tube Cable w/100' Stub
- C = Armored Ribbon Cable w/50' Stub
- D = Armored Ribbon Cable w/100' Stub
- E = All Dielectric Loose Tube Cable w/50' Stub
- F = All Dielectric Loose Tube Cable w/100' Stub
- G = All Dielectric Ribbon Cable w/50' Stub
- H = All Dielectric Ribbon Cable w/100' Stub

Base Type

- Blank = Expanded-Capacity Direct-Buried Base
- V = Vault-Mount Base

Fiber Connector Type

- A = SC/APC

**Future Expandable to 288 Fibers*

SAMPLE PART NUMBERS:

- CFFP08E 072AB = CFFP 8" diameter with Expanded-Capacity Direct Buried Base, 72 Fiber Bulkhead Count, SC/APC Connectors and Armored Loose Tube Cable with 100' Stub
- CFFP10EV096AG = CFFP 10" diameter with Vault-Mount Base, 96 Fiber Bulkhead Count, SC/APC Connectors and All Dielectric Ribbon Cable with 50' Stub

NOTE ON MOUNTING HARDWARE:

Optional mounting hardware for expanded-capacity direct-buried bases includes:

Part #	Description
UMB102 A	Universal Pole Mount Bracket w/hardware
UMS36-STD	36" Metal Mounting Stake w/hardware
UMS42-STD	42" Metal Mounting Stake w/hardware

Vault-mount bases include all necessary hardware for mounting.

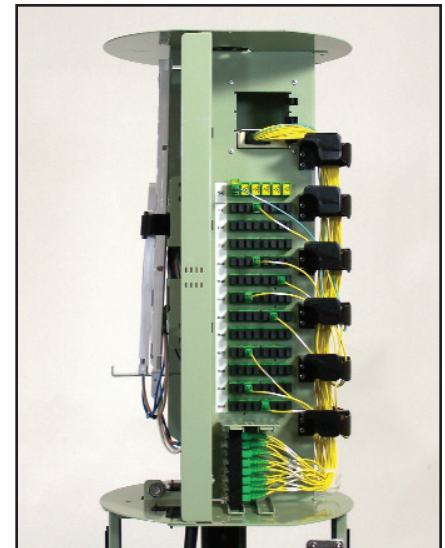
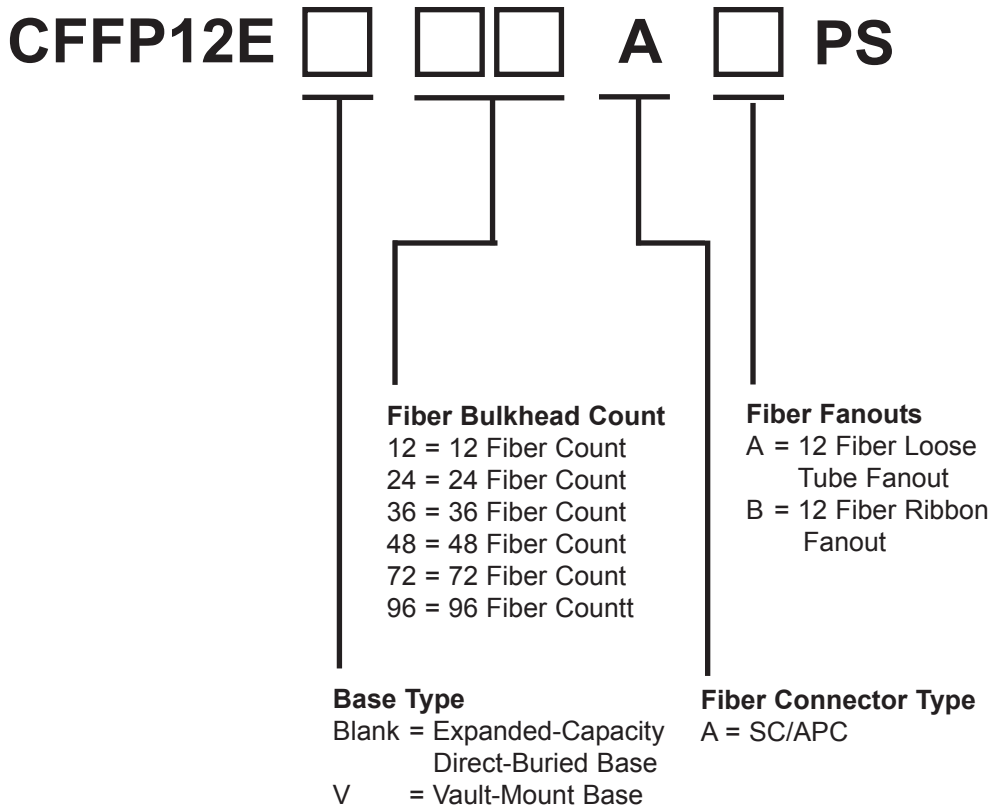
SPLITTER MODULES:

Part #	Description
CFSM-FP1132AA	1X32 with SC/APC connectors
CFSM-FP2116AA	Dual 1X16 with SC/APC connectors
CFSM-FP1116AA	1X16 with SC/APC connectors

Additional product information may be found at:
http://www.charlesindustries.com/main/te_cffp.html
 For other inquiries, please contact Charles Industries at 847-806-6300.



Charles Fiber Flexibility Pedestal (CFFP) Patch and Splice Version Ordering Guide



SAMPLE PART NUMBERS:

CFFP12E 36AAPS = CFFP Patch & Splice 12" diameter with Expanded-Capacity Direct Buried Base, 36 Fiber Bulkhead Count, SC/APC Connectors and Loose Tube Fanouts

CFFP12EV96ABPS = CFFP Patch and Splice 12" diameter with Vault-Mount Base, 96 Fiber Bulkhead Count, SC/APC Connectors and Ribbon Fanouts

NOTE ON MOUNTING HARDWARE:

Optional mounting hardware for expanded-capacity direct-buried bases includes:

Part #	Description
UMB102 A	Universal Pole Mount Bracket w/hardware
UMS36-STD	36" Metal Mounting Stake w/hardware
UMS42-STD	42" Metal Mounting Stake w/hardware

Vault-mount bases include all necessary hardware for mounting.

SPLITTER MODULES:

Part #	Description
CFSM-FP1132AA	1X32 with SC/APC connectors
CFSM-FP2116AA	Dual 1X16 with SC/APC connectors
CFSM-FP1116AA	1X16 with SC/APC connectors

Additional product information may be found at:
http://www.charlesindustries.com/main/te_cffp.html
 For other inquiries, please contact Charles Industries at 847-806-6300.

