

AdrenaLine™ Distribution Interface

Rugged OSP enclosure with pre-wired terminal blocks for rapid deployment of Charles AdrenaLine xDSL Conditioners.

For service providers looking to deploy multiple single-line AdrenaLine units, the AdrenaLine Distribution Interface (ADI) was developed to provide quick and easy placement in the outside plant. The ADI organizes up to 25 single-line AdrenaLine Units in a technician-friendly, non-metallic enclosure. In-field cable terminations can be made on tool-less IDC terminal blocks designed for carrying high-speed data. Wiring between terminal blocks is performed in the factory, and grounding and bonding attachment points are easily accessible. A blockless version of the ADI is also available, allowing for straight splicing between the AdrenaLine stubs and OSP cables.

The field-proven ADI offers superior strength, outstanding environmental protection and ease of installation. ADI are available in both flame retardant and non-flame retardant models. Internally, the ADI features a two-tier rail mounting system for mounting up to ten (10) AdrenaLine units on the top rail and up to fifteen (15) units on the lower rail.



AdrenaLine Termination Side



Cable Termination Side

Product Features

- Long-life, non-metallic (polyethylene) construction of the enclosure's base and dome offers dent resistance, corrosion protection, electric shock safety, and positive alignment in opening and closing.
- Durable yet lightweight form factor allows a single craftsman to transport and install the enclosure.
- Corrugated channel base design provides secure footing in most soil conditions, allows installation with or without the use of mounting stakes, and prevents frost heave.
- Lift-off dome provides 360° above-grade access to internal working areas.
- Dome securely attaches to the base by self-latching locks with secondary 216-tool bolt locks. A hasp is provided for a padlock. With the dome properly attached, a "bell-jar" effect is created that provides outstanding flood protection.
- Two-tier aluminum rail mounting system allows single-line AdrenaLine units to be hung in an orderly fashion
- Flame retardant and non-flame retardant models are offered for varying requirements in urban and rural applications, providing cost savings in many applications.
- Both the feeder and distribution side IDC terminal blocks feature toggle connectors for easy termination of the IN and OUT tip and ring wires of each copper pair. Wiring between the blocks is factory installed.
- Grounding and bonding attachments are easily accessible along two front-access bond bars.
- RDUP Listed



Product Specifications

Dimensions:

Overall (dome on): 48"H x 27"W x 14.5"D
 Above ground: 39"H x 27"W x 14.5"D
 Below ground: 9"H x 27"W x 14.5"D

Note: Bottom-most rib of base extends 1.25" in each direction, increasing width to 29.5", and depth to 17".

Weight:

Overall: 53 lbs.
 Dome: 23 lbs.
 Base & Bracket: 30 lbs.

Lock Type:

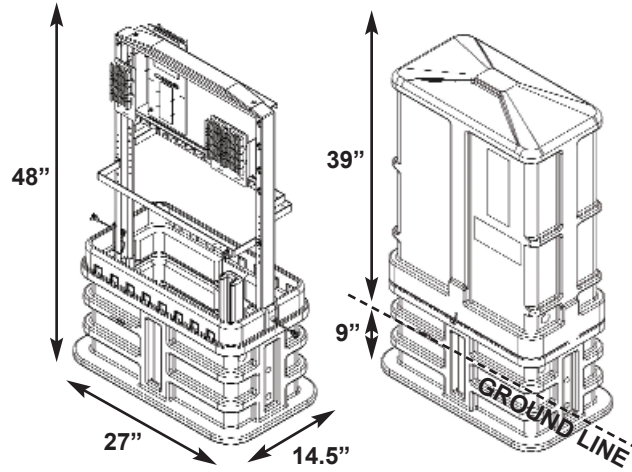
216-tool with self-latches
 Hasp for padlock

Material Composition:

Polyethylene

Compliance:

Non-Flame Retardant models are designed to meet GR-13-CORE specifications excluding brush fire and bullet test requirements. Flame-Retardant models meet GR-13-CORE specifications excluding bullet test.



ADI with Express Power Block configuration shown.

Ordering Information

The AdrenaLine Distribution Interface (ADI), in addition to non-flame retardant and flame retardant models, is available with or without terminal blocks. All versions house up to 25 AdrenaLine Units.

Description

ADI for Express Power AdrenaLine Units, No Mounting Stakes
 ADI for Express Power AdrenaLine Units, 30" Mounting Stakes
 ADI for Express Power AdrenaLine Units, 36" Mounting Stakes
 ADI for Express Power AdrenaLine Units, 42" Mounting Stakes
 ADI for Line Power AdrenaLine Units, No Mounting Stakes
 ADI for Line Power AdrenaLine Units, 30" Mounting Stakes
 ADI for Line Power AdrenaLine Units, 36" Mounting Stakes
 ADI for Line Power AdrenaLine Units, 42" Mounting Stakes
 ADI without Terminal Blocks, No Mounting Stakes
 ADI without Terminal Blocks, 30" Mounting Stakes
 ADI without Terminal Blocks, 36" Mounting Stakes
 ADI without Terminal Blocks, 42" Mounting Stakes

Non-Flame Retardant

Part

CMPH-750ENH
 CMPH-751ENH
 CMPH-752ENH
 CMPH-753ENH
 CMPH-750LNH
 CMPH-751LNH
 CMPH-752LNH
 CMPH-753LNH
 CMPH-750NNH
 CMPH-751NNH
 CMPH-752NNH
 CMPH-753NNH

Flame Retardant

Part

CMPH-750EFH
 CMPH-751EFH
 CMPH-752EFH
 CMPH-753EFH
 CMPH-750LFH
 CMPH-751LFH
 CMPH-752LFH
 CMPH-753LFH
 CMPH-750NFH
 CMPH-751NFH
 CMPH-752NFH
 CMPH-753NFH

Order AdrenaLine Single-Line Units separately to populate ADI as needed.

Description

Single-Line AdrenaLine Unit, Shorter Loops, Line Power
 Single-Line AdrenaLine Unit, Longer Loops, Line Power
 Single-Line AdrenaLine Unit, Shorter Loops, Express Power
 Single-Line AdrenaLine Unit, Longer Loops, Express Power

DSL Support

ADSL, ADSL2, ADSL2+
 ADSL, ADSL2, ADSL2+
 ADSL, ADSL2, ADSL2+
 ADSL, ADSL2, ADSL2+

Part Number

CTA-01L
 CRE-01L-S
 CTA-01E
 CRE-01E



CUSTOMER SATISFACTION
 CONTINUOUS IMPROVEMENT

OSP INNOVATIONS™

With Charles, You Can Depend On:

- Field-proven and unequalled 24-hour technical support
- Individualized application consultation
- Training courses available

Visit our website at <http://www.charlesindustries.com>

Charles Industries, Ltd.
 Telecommunications Group
 5600 Apollo Drive
 Rolling Meadows, IL 60008

Voice: (847) 806-6300
 FAX: (847) 806-6231
 E-mail: mktsterv@charlesindustries.com



Charles is a registered trademark of Charles Industries, Ltd.
 PHYlogy and the PHYlogy logo are registered trademarks of PHYlogy, Inc.
 TripleStream™ technology US patent #7110528 and other patents pending.