

Charles Universal Broadband Enclosures (CUBE) CUBE PM616 Series



PM616 Series Enclosures can serve a wide range of radio and base transceiver station (BTS) equipment such as power plants, routers, BBU protection, site monitoring and fiber panels. With 16 RU of 23" rackmount space in both the front and rear, these rugged enclosures are available in many different configurations with an assortment of thermal options for even the most demanding heat dissipation needs. Options include integrated power, protection, fiber management, site monitoring, and electronic access control.

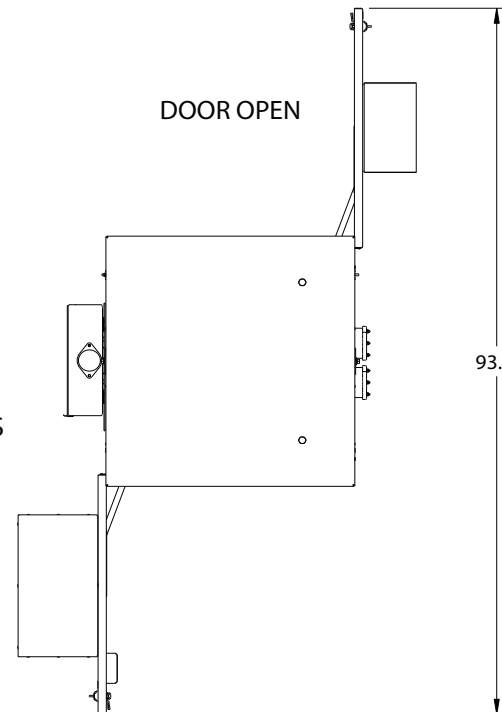
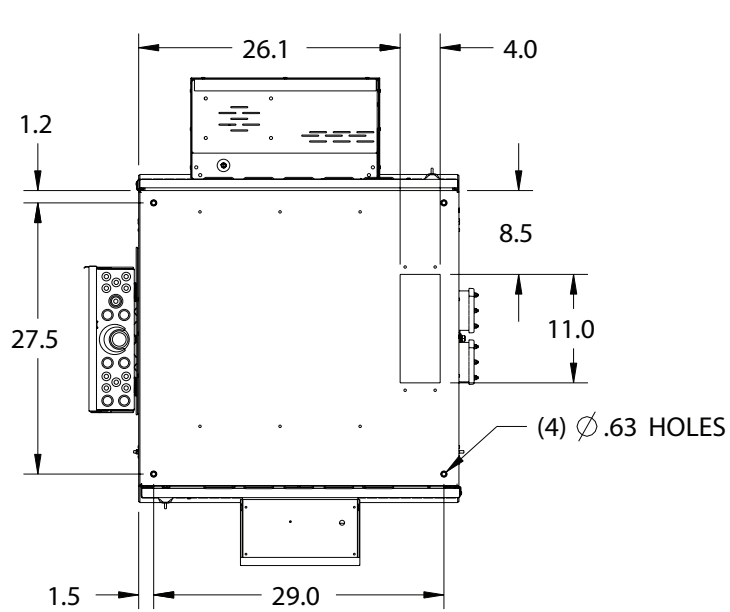
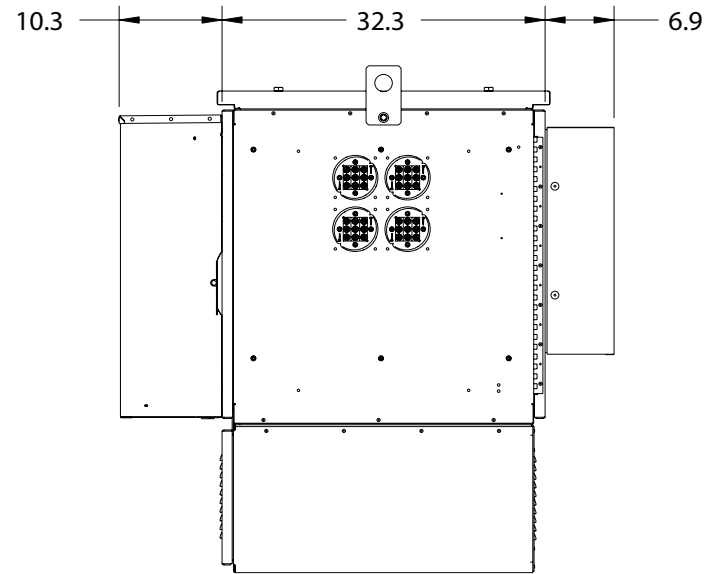
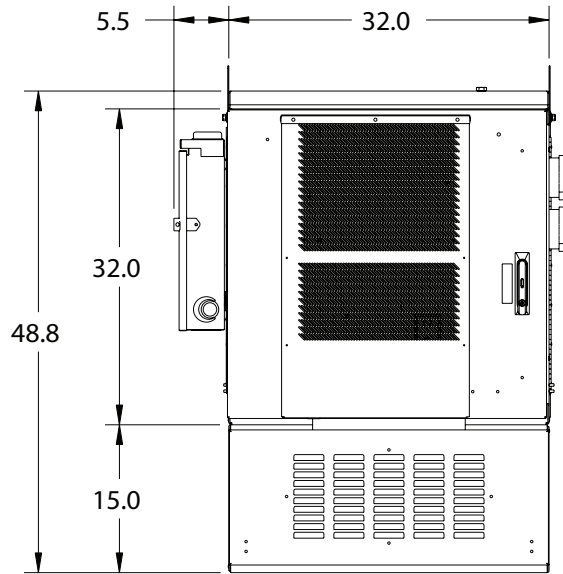
Specifications

Construction	0.125" Aluminum Welded Construction Outer Enclosure, Powder Coated Off White Finish
Mounting Style	Pad Mount
Thermal Management	750W HX, 4K HVAC
Rack Mounting	23", 16RU
Door Latching	3-Point Latching with Pad Lockable Handle (Front and Rear)
Optional Battery Compartment	One (1) string Tel.x 180 Ni-CD or one (1) string 155 Ah VRLA
Optional AC Termination	12 Position Load Center
Certifications	Telcordia GR-487-CORE, UL 60950



Charles Part #	Overall Dimensions	RU	Mounting Rails	Equipment Chamber Door	Equip. Chamber Dimensions	Battery Chamber Dimensions	Handoff Chamber Dimensions	Load Center	Thermal Specs	Weight Empty	Weight w/Ni-Cd Battery
CUBE-PM61612JN1	33x32x32	16	(2) 23" Fixed Rail	Front & Rear	33x32x32	None	None	None	4K BTU AC	250	—
CUBE-PM61612JN2	33x32x32	16	(2) 23" Fixed Rail	Front & Rear	33x32x32	None	None	None	4K BTU AC	270	—
CUBE-PM61622JF1	48x32x32	16	(2) 23" Fixed Rail	Front & Rear	33x32x32	15x32x32	None	12 Position	4K BTU AC	397	754
CUBE-PM61622JF2	48x32x32	16	(2) 23" Fixed Rail	Front & Rear	33x32x32	15x32x32	None	12 Position	4K BTU AC	397	754
CUBE-PM61622RF1	48x32x32	16	(2) 23" Fixed Rail	Front & Rear	33x32x32	15x32x32	None	12 Position	4K BTU AC & 750W 48VDC HX	420	777

CUBE PM616 Series



Shown:
CUBE-PM61622RF1

All measurements in inches

MADE IN THE
USA