

# Charles Universal Broadband Enclosures (CUBE) CUBE PM576 Series

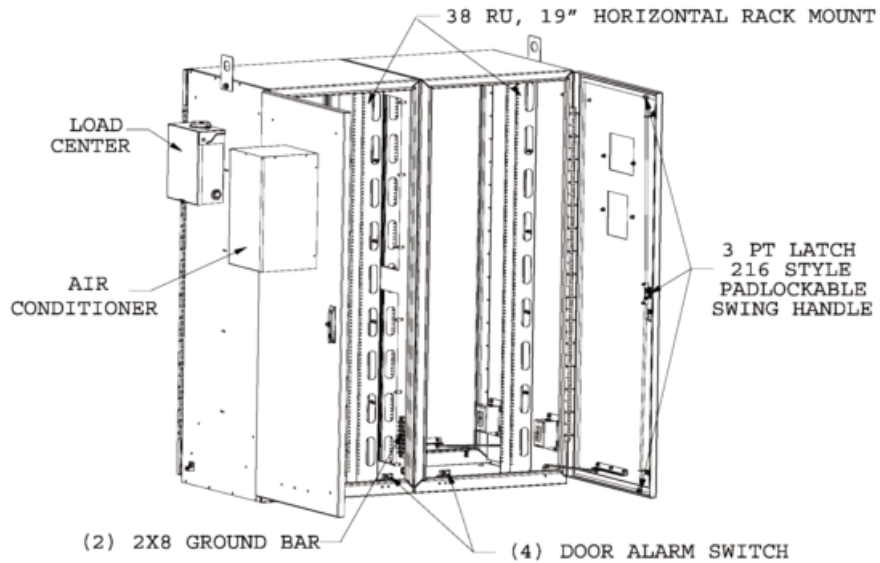


MADE IN THE  
**USA**

PM576 Series Enclosures can serve a wide range of equipment such as power plants, routers, base band units, protection, site monitoring and fiber panels. With 38 RU of 19" rackmount space in both bays, these rugged enclosures feature a double-door design for technician-friendly access, and air conditioners for thermal management.

### Specifications

Construction . . . . . 0.125" Aluminum Welded Construction, Powder Coated Off White Finish  
 Mounting Style . . . . . Pad Mount  
 Thermal Management . . . . . 2K BTU AC (x1 or x2)  
 Rack Mounting . . . . . 19", 38RU in both bays, total of 76RU  
 Door Latching . . . . . 3-Point Latching with Pad Lockable Handles (Front and Rear)  
 AC Termination . . . . . 8 Position Load Center  
 Certifications . . . . . Telcordia GR-487-CORE, UL 60950

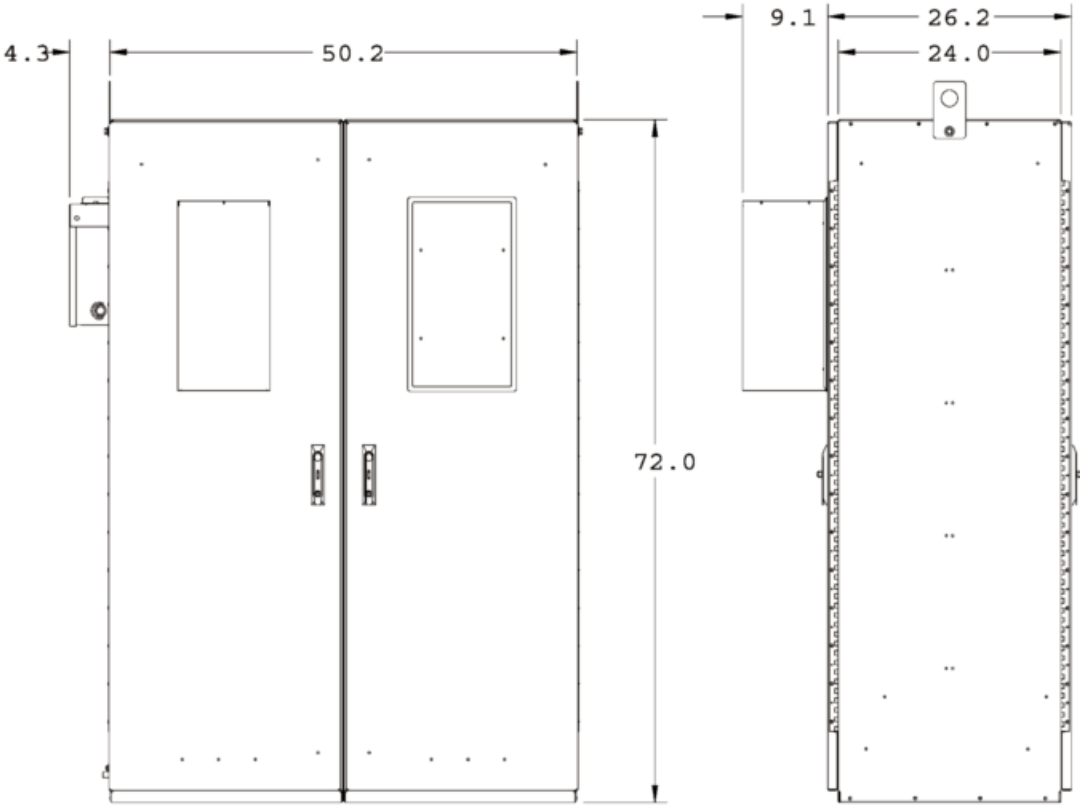


Charles Part #	Overall Dimensions	RU	Mounting Rails	Equipment Chamber Door	Equip. Chamber Dim. (in)	Battery Chamber Dim. (in)	Handoff Chamber Dim. (in)	Load Center	Thermal Specs	Weight Empty
CUBE-PM57625EB1	72x50x26	38 per bay, 76 total	19" Fixed Rail	Front & Rear	72x50x26	None	None	8 position	2K BTU AC	360
CUBE-PM57625EB3	72x50x26	38 per bay, 76 total	19" Fixed Rail	Front & Rear	72x50x26	None	None	8 position	(2) 2K BTU AC	500

For additional product information, please visit [www.charlesindustries.com](http://www.charlesindustries.com)

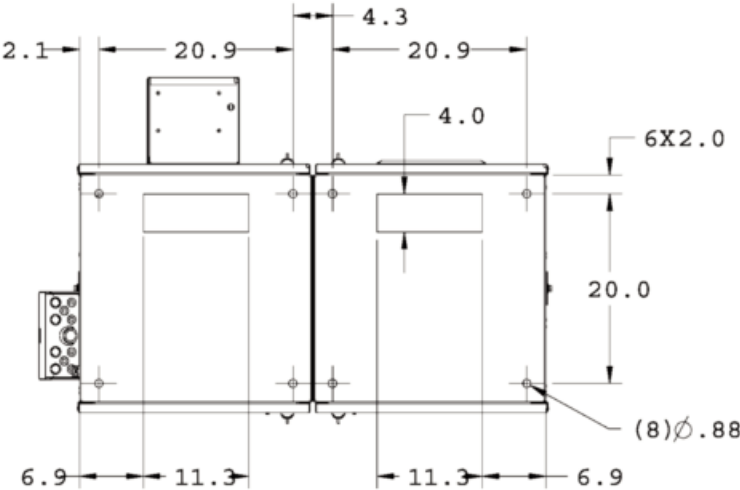
# CUBE PM576 Series

All measurements given in inches.



FRONT VIEW

SIDE VIEW



BOTTOM VIEW

