

Charles Universal Broadband Enclosures (CUBE) CUBE PM520 Series



Charles PM5200 Series backhaul cabinets are compact, robust (GR-487 compliant) and cost effective outdoor enclosures for wireless backhaul and DSLAM solutions. PM5200 cabinets feature an equipment chamber with front and rear door access and battery chamber. 20RU of equipment space houses 19" or 23" rackmount equipment. Several thermal management options and AC power distribution options are available.

Specifications

Construction	0.125" Aluminum Welded Construction Outer Enclosure, Powder Coated Off White Finish
Mounting Style	Pad Mount Enclosures
Thermal Management	Available Air Conditioners and Heat Exchangers (see matrix)
Rack Mounting	23"; 20 RU
Door Latching	3-Point Latching with Pad Lockable Handles
Battery Types / Termination	One string 170 Ah VRLA
AC Termination	12 Position Load Center
Bus Bars	2x8 Position, quantity varies by part number
Alarms	Intrusion, one (1) per door
Certifications	Telcordia GR-487-CORE, UL60950



Charles Part #	Overall Dimensions	RU	Mounting Rails	Equipment Chamber Door(s)	Equipment Chamber Dimensions	Battery Chamber Dimensions	Handoff Chamber Dimensions	Load Center	Thermal	Weight (Empty) lbs.	Weight w/Ni-Cd Batteries
CUBE-PM52022JB1	53x28x27	20	(2) 23" Fixed Rail	Front & Rear	40x28x27	13x28x27	None	12 Position	4K BTU AC	269	512
CUBE-PM52022JB2	53x28x27	20	(2) 23" Fixed Rail	Front & Rear	40x28x27	13x28x27	None	12 Position	4K BTU AC	310	512
CUBE-PM52022JB3	53x28x27	20	(2) 23" Fixed Rail	Front & Rear	40x28x27	13x28x27	None	12 Position	4K BTU AC	310	512

UL / GR487 COMPLIANT • 1 YEAR WARRANTY

For additional product information, please visit www.charlesindustries.com

OG-OSP023-K16

INNOVATIVE ENCLOSED SOLUTIONS™

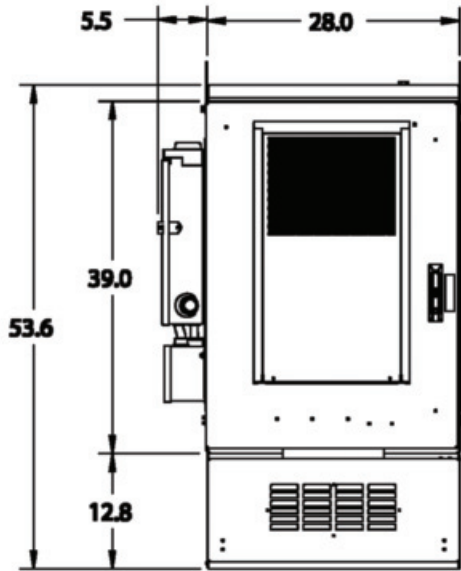
Charles Industries, Ltd.

Phone: (847) 806-6300
 Fax: (847) 806-6231
 Web: www.charlesindustries.com

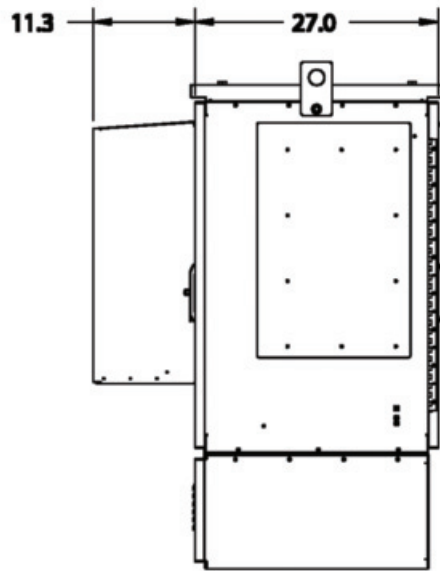


CUBE PM520 Series

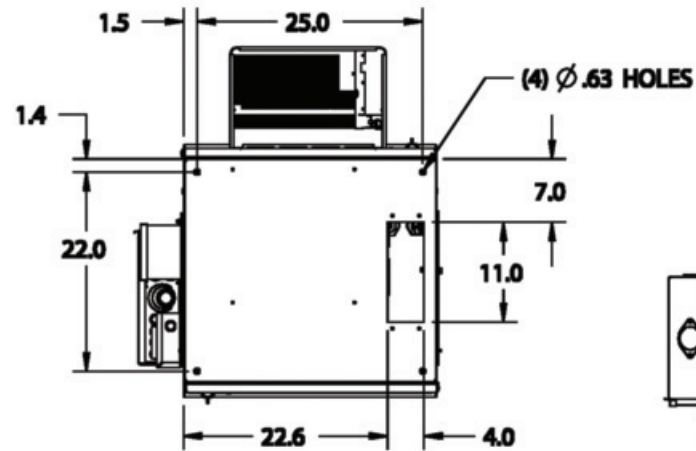
All measurements given in inches.



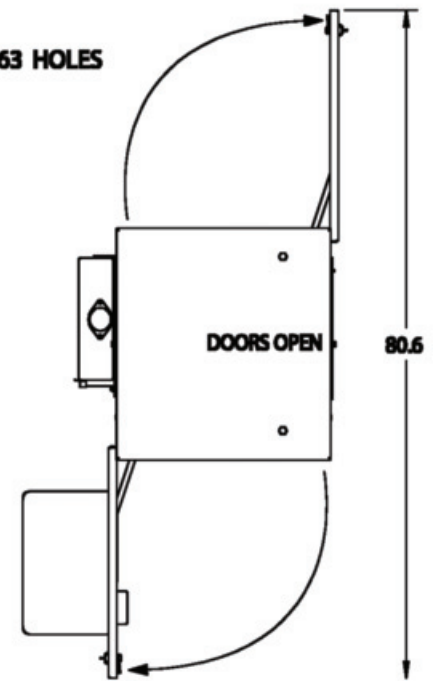
FRONT VIEW



SIDE VIEW



BOTTOM VIEW



TOP DOWN VIEW

UL / GR487 COMPLIANT • 1 YEAR WARRANTY

For additional product information, please visit www.charlesindustries.com

MADE IN THE
USA

OG-OSP023-K16

INNOVATIVE ENCLOSED SOLUTIONS™

Charles Industries, Ltd.

Phone: (847) 806-6300
Fax: (847) 806-6231
Web: www.charlesindustries.com

Charles